

Search By Catalog Number

[Home](#) > [Terminal Blocks](#) > [Military - Military Class](#) > 37TB / 37TB-B Series Military Terminal Blocks

37TB-B Series Military Terminal Blocks

**37TB04B**

Specifications

- A Kulka® Brand
- 300 volts AC/DC
- Base, valox 420-SEO, grey color, 130°C
- Closed back design
- Screws, brass nickel plate, 6-32 binder head, slotted
- Terminals, brass nickel plate
- 3/8" centers
- Flammability rating 94 V-O
- Wire size #16
- 15 amps
- Parts are supplied with end plates
- RoHS compliant

[Product Datasheet](#)

Hardware Options

Lug Type (Commercial):

3/4 ST 600 = Half Solder - [Reference](#)ST600 - Full Solder - [Reference](#)

Feed-Thru Hardware Options

Long Feed-Thru Solder

40TB B Only

Accessories (Jumper Commercial Grade)

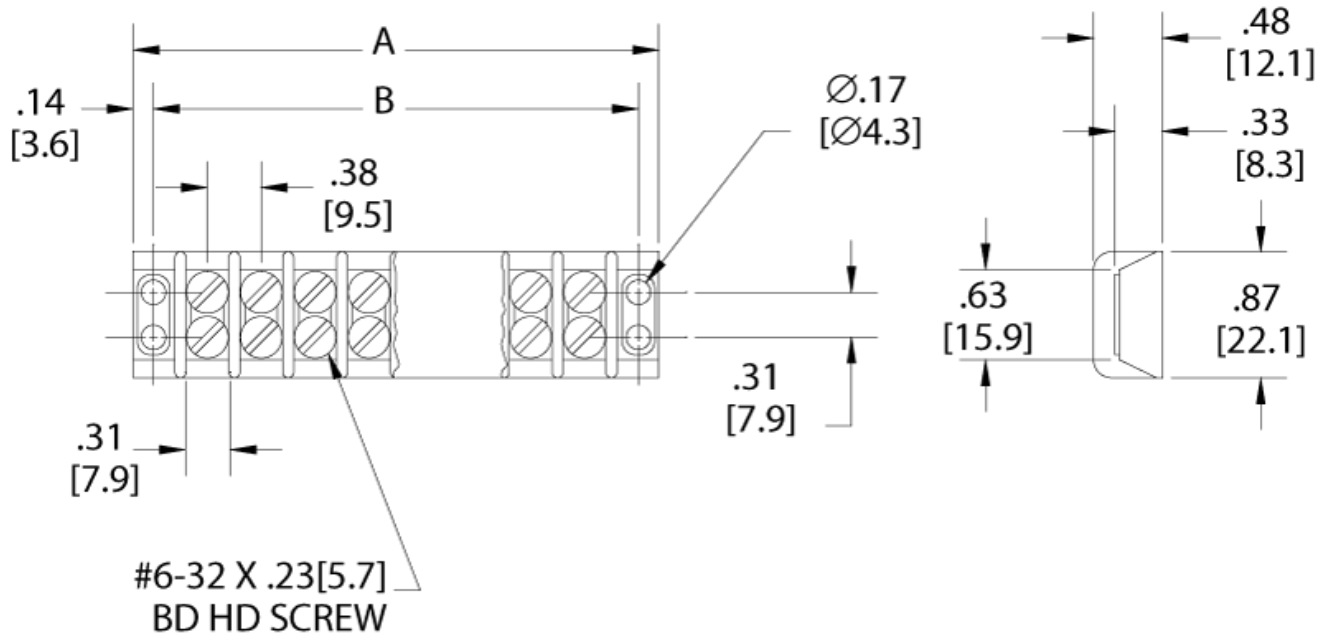
Marking Strips = MSA, MSB, MSC - [Reference](#)Jumper = J600, 600RJ, 600RJ(S) - [Reference](#)

Service Options

Consult Customer Service

Military Class A-A-59125 - 37TB-B Series

Catalog #	# of Poles	Dimensions	
		A	B
37TB02B	2	1.41	1.12
37TB03B	3	1.78	1.50
37TB04B	4	2.16	1.88
37TB05B	5	2.53	2.25
37TB06B	6	2.91	2.62
37TB07B	7	3.28	3.00
37TB08B	8	3.66	3.38
37TB09B	9	4.03	3.75
37TB10B	10	4.41	4.12
37TB11B	11	4.78	4.50
37TB12B	12	5.16	4.88
37TB13B	13	5.53	5.25
37TB14B	14	5.91	5.62
37TB15B	15	6.28	6.00
37TB16B	16	6.66	6.38
37TB17B	17	7.03	6.75
37TB18B	18	7.41	7.12
37TB19B	19	7.78	7.50
37TB20B	20	8.16	7.88



37TB - Military Class Terminal Blocks



37TB06F

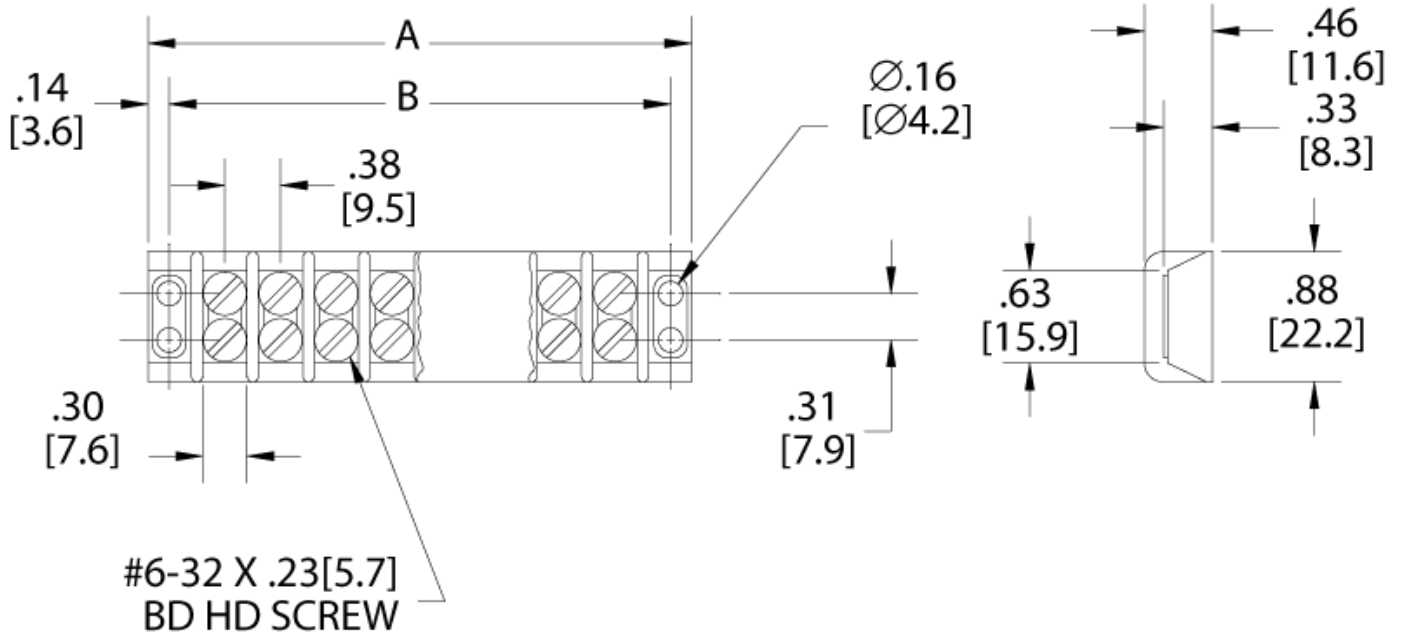
Material

- Plastic: grade F temperature rating 155°C per MIL-M-14
- Screws: Brass per QQ-W-321, nickel plated per QQ-N-290
- Terminal Plates: Brass per QQ-B-613, nickel plated per QQ-N-290

Electrical Rating

- Rated voltage (maximum): 300 volts
- Current rating: 15 amps
- D.W.V.: 3000 volts RMS

[Product Datasheet](#)



Military Class - 37TB-F Series - A-A-59125/1 - MIL-T-55164/1

Catalog #	# of Poles	Dimensions	
		A	B
37TB02F	2	1.360-1.453	1.109-1.156
37TB03F	3	1.735-1.828	1.484-1.531
37TB04F	4	2.110-2.203	1.859-1.906
37TB05F	5	2.500-2.593	2.234-2.281
37TB06F	6	2.876-2.969	2.609-2.656
37TB07F	7	3.250-3.343	2.984-3.031
37TB08F	8	3.636-3.719	3.359-3.406
37TB09F	9	4.000-4.093	3.734-3.781
37TB10F	10	4.376-4.469	4.109-4.156
37TB11F	11	4.750-4.843	4.484-4.531
37TB12F	12	5.126-5.219	4.859-4.906
37TB13F	13	5.500-5.593	5.234-5.281
37TB14F	14	5.876-5.969	5.609-5.656
37TB15F	15	6.250-6.365	5.969-6.047
37TB16F	16	6.626-6.735	6.344-6.422
37TB17F	17	7.000-7.109	6.719-6.797
37TB18F	18	7.376-7.485	7.094-7.172
37TB19F	19	7.752-7.812	7.469-7.547
37TB20F	20	8.127-8.187	7.844-7.922
37TB21F	21	8.502-8.562	8.219-8.297
37TB22F	22	8.877-8.937	8.594-8.672

37TB23F	23	9.252-9.312	8.969-9.047
37TB24F	24	9.627-9.687	9.344-9.422
37TB25F	25	10.002-10.062	9.719-9.797
37TB26F	26	10.377-10.437	10.094-10.172
37TB27F	27	10.752-10.812	10.469-10.547
37TB28F	28	11.127-11.187	10.844-10.922
37TB29F	29	11.502-11.562	11.219-11.297
37TB30F	30	11.877-11.937	11.594-11.672
37TB31F	31	12.252-12.312	11.969-12.047

CONTACT

Marathon Special Products
 427 Van Camp Road
 P.O. Box 468
 Bowling Green, Ohio 43402

tel: 419-352-8441
 fax: 419-352-0875
 email: marketing@marathonsp.com

CUSTOMER SERVICE HOURS

Mon-Fri 8am-5pm EST

LINKS

[About Us](#)

[Contact Us](#)

[Terms & Conditions](#)

[Locate a Distributor](#)

ABOUT

Marathon Special Products is an industry leader for supplying power blocks, terminal blocks, and fuse holders in North America. We've achieved this by providing one of the broadest line offerings with various sizes, terminal styles, electrical ratings and features.

