

CHARACTERISTICS

CONTACT ARRANGEMENT  
 ACTUATION FORCE  
 RELEASE FORCE  
 PRETRAVEL  
 MOVEMENT DIFFERENTIAL  
 OVER TRAVEL  
 LIFE AT RATED LOAD  
 AMBIENT TEMPERATURE  
 MAX. ALLOWED APPLIED  
 FORCE TO ACTUATOR  
 DIELECTRIC STRENGTH  
 TERM. TO TERM.  
 TERM. TO CASE  
 MILLIVOLT DROP (FOR -01)  
 SEAL  
 MAX. ALLOWED LEAKAGE  
 BACKFILL  
 SHOCK RESISTANCE  
 (WITHOUT CONTACT CHATTER)  
 VIBRATION RESISTANCE\* (5-3000 CPS)  
 (WITHOUT CONTACT CHATTER)  
 WEIGHT (NO LEADS)

S.P.D.T.  
 30 OZ. MAX.  
 4 OZ. MIN.  
 .250 MAX.  
 .050 MAX.  
 .015 MIN.  
 25,000 CYCLES  
 -85°F TO +275°F

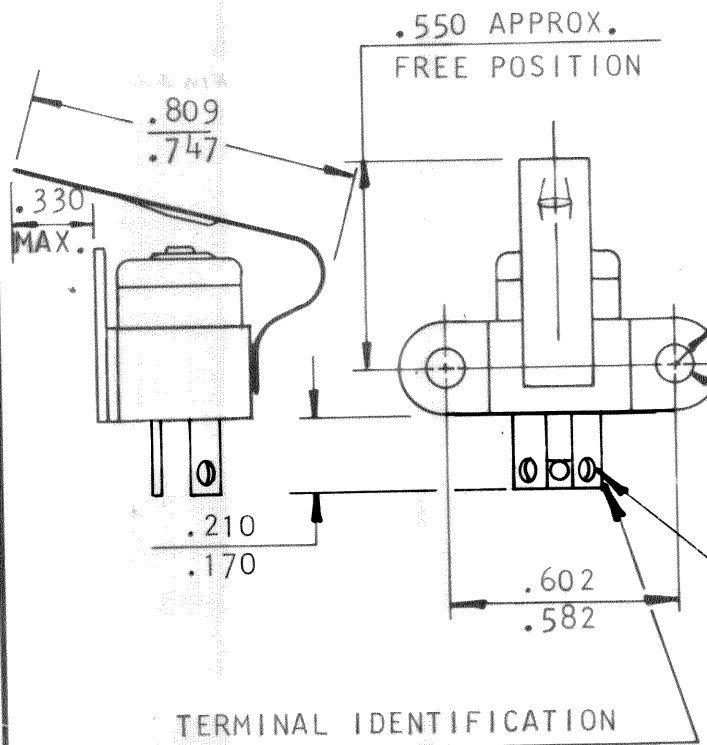
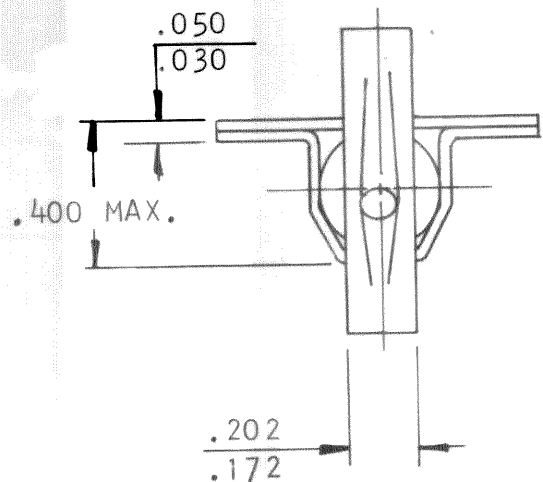
5 LBS.  
 800 VRMS  
 1000 VRMS  
 .040 VOLTS AT  
 1 AMP  
 CLASS 5 HERMETIC  
 PER MIL-S-8805B  
 1X10<sup>-8</sup> STD.  
 CC HE/SEC.  
 DRY NITROGEN

200 G'S  
 65 G'S  
 3 GRAMS

CURRENT CAPACITY

SEA LEVEL AND 70,000 FT. ALTITUDE	
LOAD	28 VOLTS D.C.
RESISTIVE	4 AMPS
INDUCTIVE	1 AMP
LAMP	2 AMPS

\*ACTUATION ARM MUST BE DEPRESSED A MINIMUM OF .025" FROM THE FREE POSITION TO PREVENT LARGE AMPLITUDE RESONANT VIBRATION.

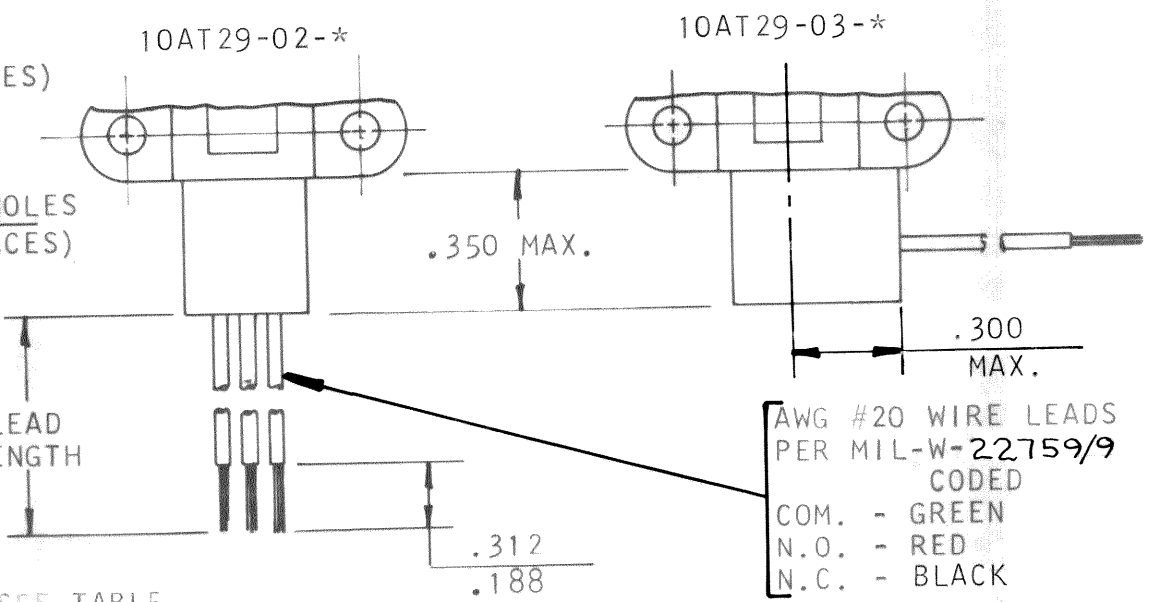


TERMINAL IDENTIFICATION  
 (ON GLASS)  
 COM. - GREEN  
 N.O. - PINK  
 N.C. - BLACK

10AT29-01

REVISIONS					
ZONE	LTR	DESCRIPTION	DATE	APPROVED	
-	-	1ST ISSUE C.R. 27164	J.P. 5-8-69	EW/HB	
-	A	ADD. (FOR-01) TO MILLIVOLT DROP CRAMP6884	6-17-71	EW/HB	
-	B	SEE C.N. CR 94797	N.A. 3-5-85	PDJ	
B1	C	MIL-W-22759/9 WAS-16878(E) CRM08375	O.K. 3-30-92	PDJ	
-	D	RESISTIVE WAS 7AMP CRM21201	RJM 10-12-95	JF	

PART NUMBER EXAMPLE				
10AT	29-	2	1	-10
BASIC SWITCH	ENVELOPE CONFIGURATION	0=SPDT 1=SPDT-N.C. 2=SPDT-N.O.	1=NO LEADS 2=LEADS PARALLEL TO AXIS OF SWITCH 3=LEADS AT RIGHT ANGLE TO AXIS OF SWITCH	1 = 6" MIN. 2 = 12" 3 = 18" 4 = 24" 5 = 30" 6 = 36" 7 = 42" 8 = 48" 9 = 60" 10 = 72"



\*FOR LEAD LENGTH SEE TABLE

UNLESS OTHERWISE SPECIFIED DIMENSIONS ARE IN INCHES	BY J. PEARSON	DATE 5-8-69	TEXAS INSTRUMENTS INCORPORATED APPLBORO, MASSACHUSETTS, U.S.A.	KLIxon CONTROL PRODUCTS DIVISION
TOLERANCE ON FRACTIONS DECIMALS ANGLES	CH. E. Whipple	5-9-69		
MATERIAL	ENG. E. Whipple	5-9-69	TITLE 10AT29 HERMETICALLY SEALED S.P.D.T. SWITCH LEVER ACTUATED ENVELOPE DRAWING	
APPROVED H. Barlaney	5/10/69	SIZE B	CODE IDENT NO. 82647	10AT29
SCALE 2:1			SHEET	