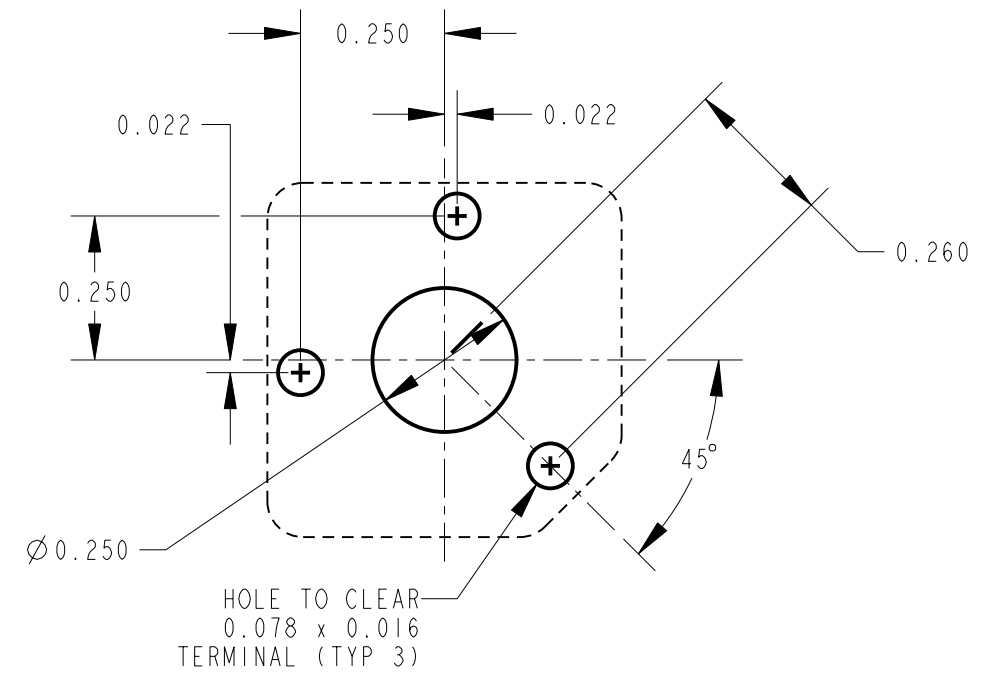
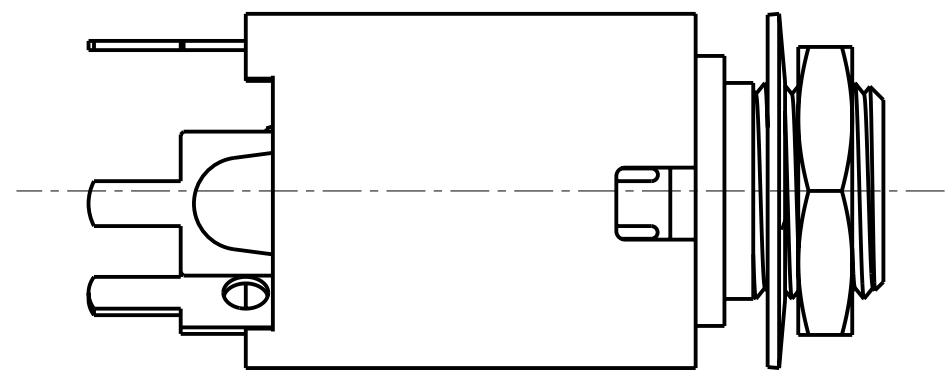
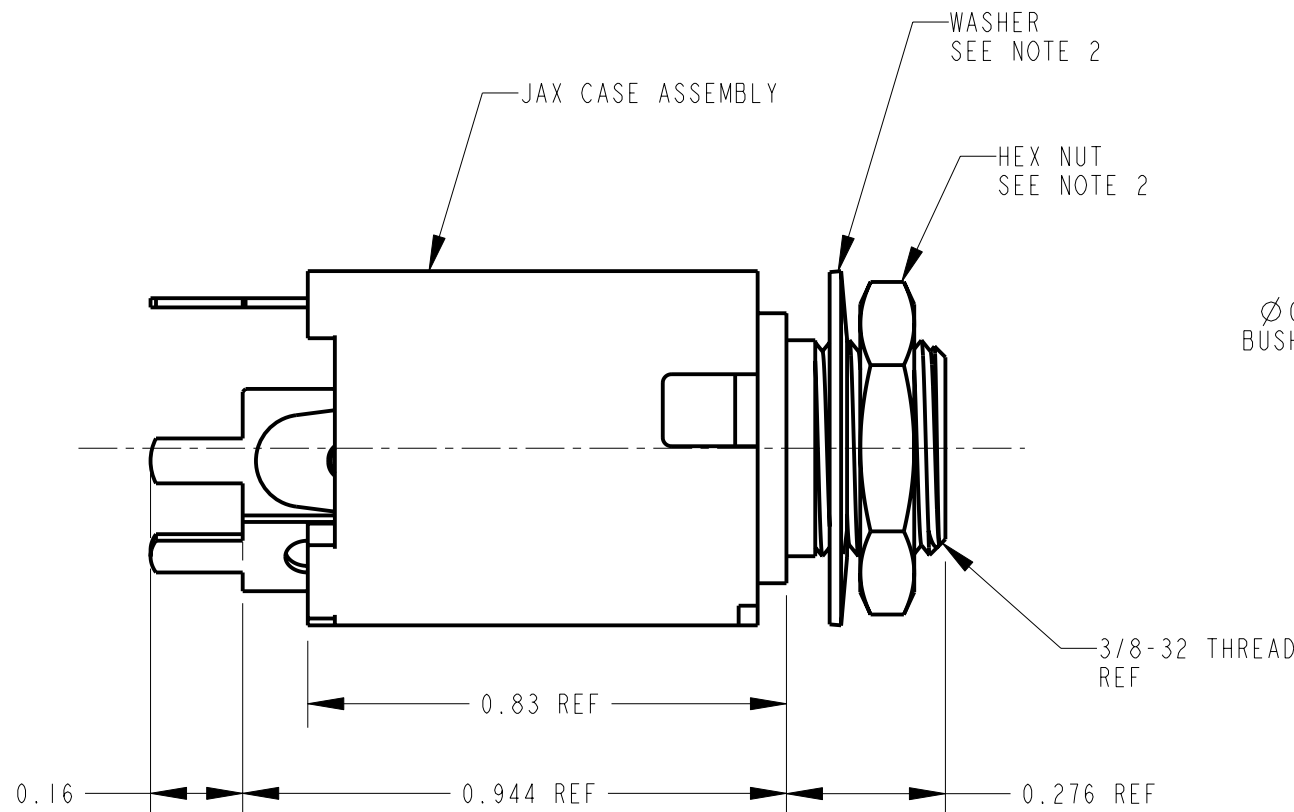
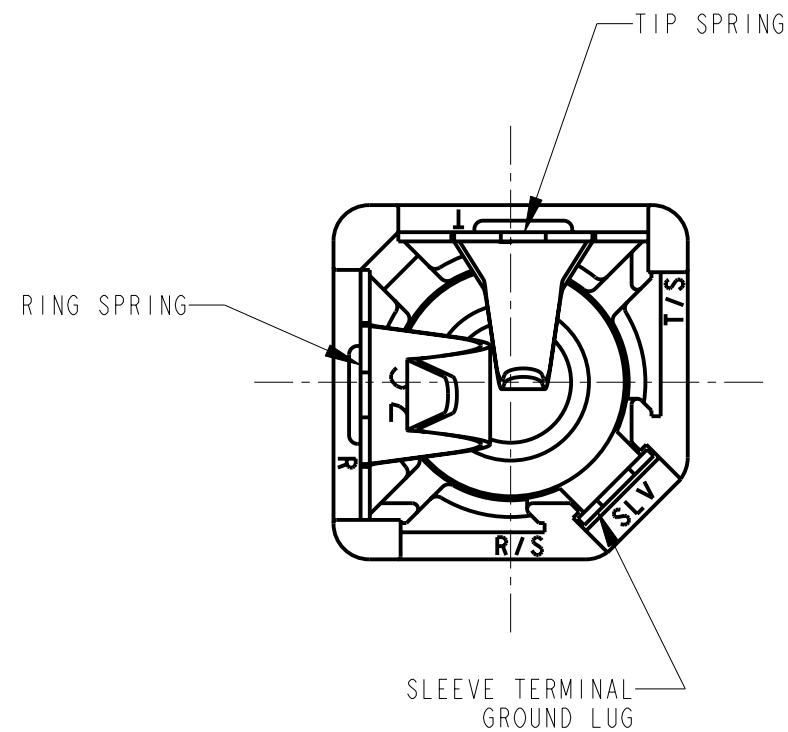


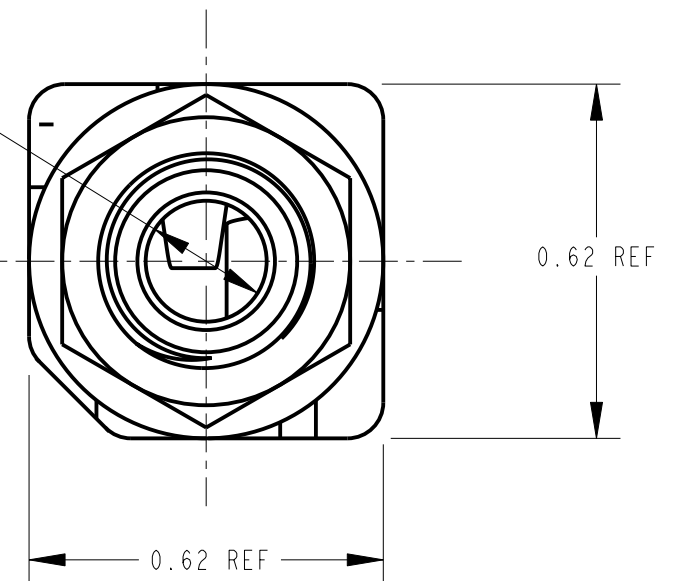
SCHEMATIC



PCB LAYOUT - COMPONENT SIDE



Ø0.210 REF
BUSHING I.D.



CUSTOMER DRAWING

NOTES:

1. HARDWARE SHIPPED UNASSEMBLED.
2. THIS PRODUCT IS RoHS COMPLIANT.

REV	ECO NUMBER	DATE	BY	APVD
0A	FIRST DRAWN	7/24/13	TJK	TJK
REVISIONS				

★ STAR SYMBOL DENOTES CRITICAL DIMENSION

UNLESS OTHERWISE SPECIFIED

1. ALL DIMENSIONS IN INCHES
- TWO PLACE DECIMALS ±0.01
- THREE PLACE DECIMALS ±0.005
- ANGLES ±1°
- ALL DIA. CONCENTRIC WITHIN 0.005 T.I.R.
2. FEATURES ON THE SAME CENTERLINE MUST BE ALIGNED WITHIN ±0.002
3. REMOVE ALL BURRS

DO NOT SCALE DRAWING

THIS DRAWING DESCRIBES A DESIGN CONSIDERED PROPRIETARY IN NATURE, DEVELOPED AND MANUFACTURED BY SWITCHCRAFT INC. AND IS RELEASED ON A CONFIDENTIAL BASIS FOR IDENTIFICATION PURPOSES ONLY.				
SIZE	WIDTH	MULT	LBS/M	TEMPER
FINISH		MATERIAL		
SPEC No.		SPEC No.		
FIRST USED ON		SCALE		
		3:1		
DATE DRAWN	BY	CHKD	APVD	
24-Jul-13	TJK	TJK	TJK	
		7/24/13	7/24/13	
NAME			PART No.	
3/8-32 THREADED BUSHING			11J1414X	
Ø0.21 PLUG HI-D JACK ASSY, ROHS			REV	
			0A	