

**Schroff**

## Sleeve, plastic, grey

Catalog Number: 21100-464

- Sleeve serves to guide the collar screw when fastening the front panel
- Sleeve is inserted into the elongated hole of the front panel
- Sleeve is inserted into the elongated hole of the front panel
- Sleeve serves to guide the collar screw when fastening the front panel



Other Views



### Description

#### Accessories:

Sleeves

#### Product family:

Front Panels


#### Product family:

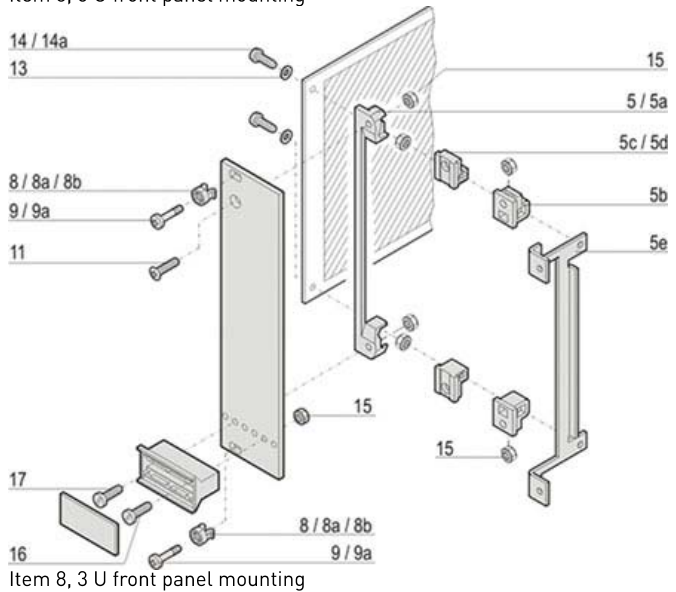
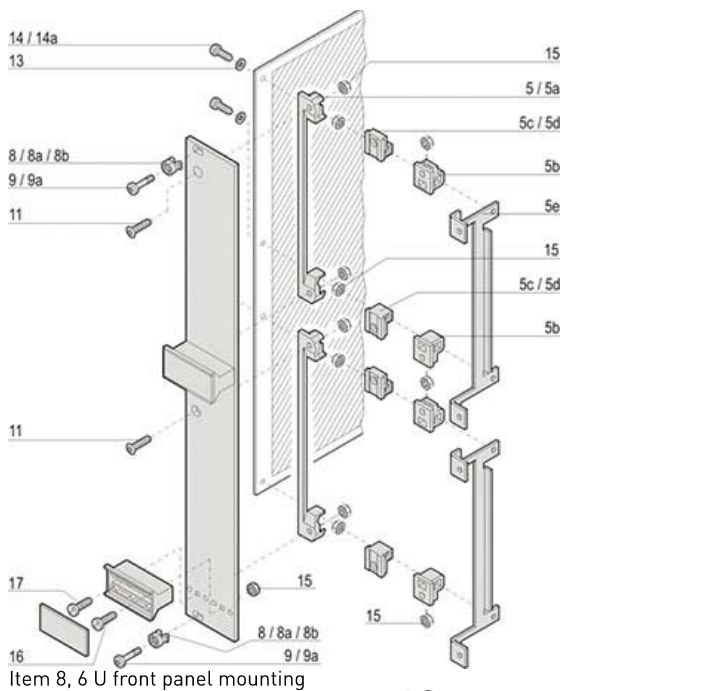
- EuropacPRO
- Front Panels
- Plug in units
- Frame Type Plug-In Units

#### Note:

Metal sleeves on the partial front panels must be pressed in. not for front panel 2 HP

#### Delivery Comprises:

Item	Quantity	Description
1	100	Sleeve, PA, UL V-2, grey;  for form hole 5.9 x 3.3 mm



**Technical Data**

---

<b>Catalog Number</b>	<a href="#">21100-464</a>
<b>Material</b>	PA, UL 94 V-2, grey
<b>Dimension [mm]</b>	-
<b>Qty</b>	PU 100 pieces
<b>Colour</b>	grey
<b>Material</b>	PA, UL 94 V-2
<b>Item</b>	2
<b>Application</b>	for unshielded front panels
<b>Application</b>	For mounting partial width front panels
<b>Application</b>	Is needed to fix collar screws
<b>Required number at 3 U</b>	1

## Links



---



Native CAD files

**Accessories**

---

Item			
	Collar screw, cross recess/slotted (M2.5x11), steel nickel-plated, PU 100 pcs	21100-748	
	Collar screw, cross recess/slotted (M2.5x12.3), steel nickel plated, PU 100 pcs	21101-101	

---