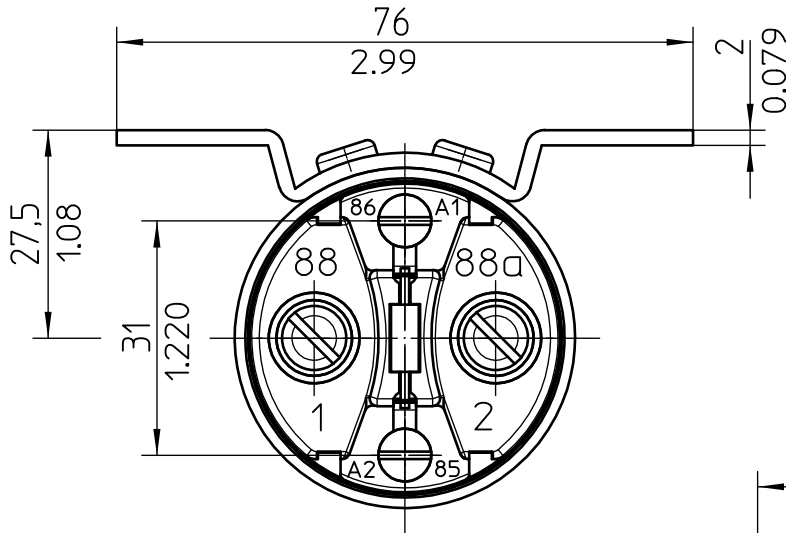
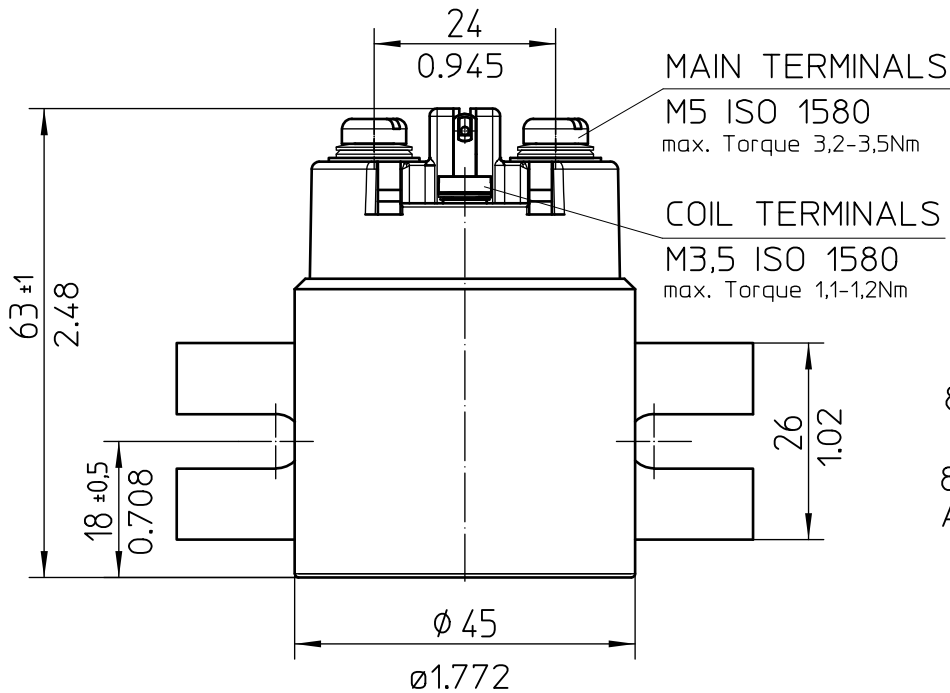
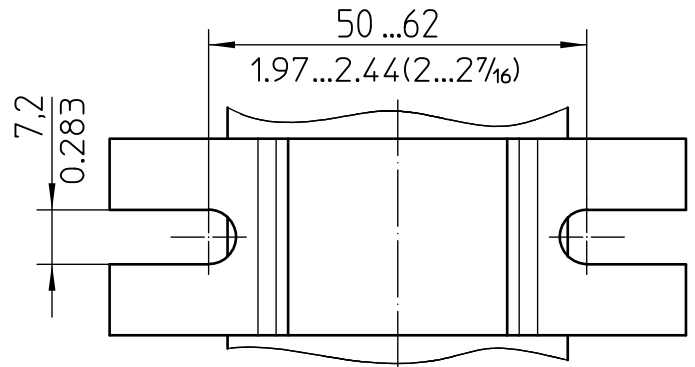


75AMP. POWER RELAY (28VDC)

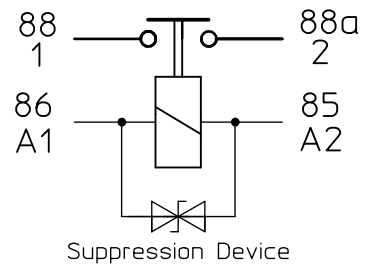
LONG FORM SIDE MOUNTING ENVIRONMENTALLY SEALED



MOUNTING DIMENSION



CIRCUIT



DIMENSIONAL TOLERANCES

3 PLACE DECIMAL ±0.010
 2 PLACE DECIMAL ±0.03
 ANGULAR ±0°30'

ORDER-NO

29-014-02 WITHOUT SUPPRESSION DIODE

29-014-12 with SUPPRESSION DIODE

Third Angle Projection



	Date	Name
Drawn	03.07.2008	Hamar
Check	26.02.2009	Lugin

mm Inch	Scale 1:1
General Tolerances DIN ISO 2768 mK	



Drawing No:

29-014-02_12

NSN.: