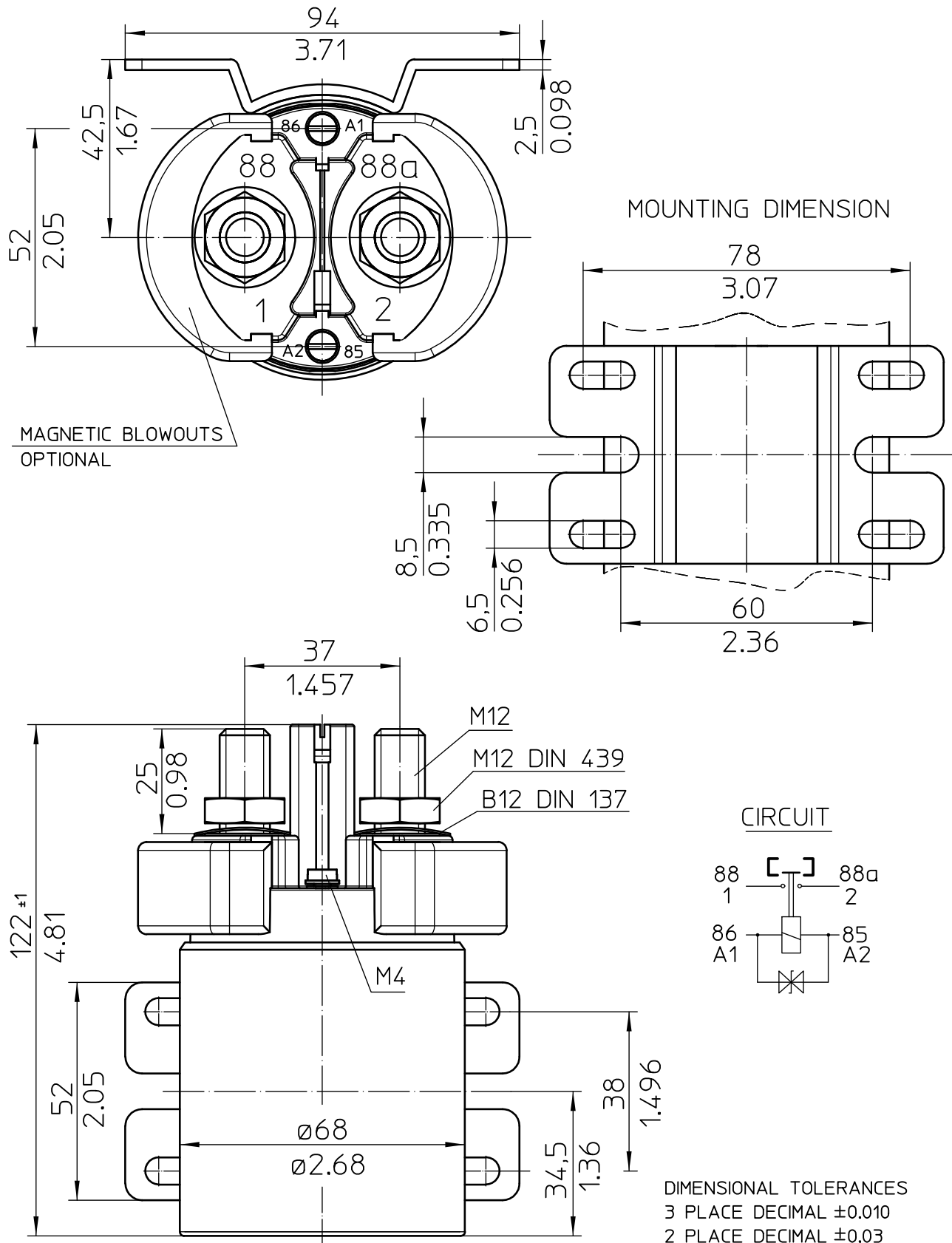
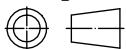


# 500AMP. POWER RELAY

ENVIRONMENTALLY SEALED SUPPRESSION DEVICE STANDARD SIDE MOUNTING MAGNETIC BLOWOUTS OPTIONAL



Third Angle Projection



DIMENSIONAL TOLERANCES  
 3 PLACE DECIMAL ±0.010  
 2 PLACE DECIMAL ±0.03  
 ANGULAR ±0°30'

ORDER-NO.  
 29-511-02 WITHOUT SUPPRESSION  
 29-511-12 WITH SUPPRESSION

	Date	Name	mm Inch	Scale
Drawn	13.07.2004	Hamar		-
Check	30.04.2009	Seege	General Tolerances DIN ISO 2768 mK	



Drawing No:	29-511-02_12
NSN:	