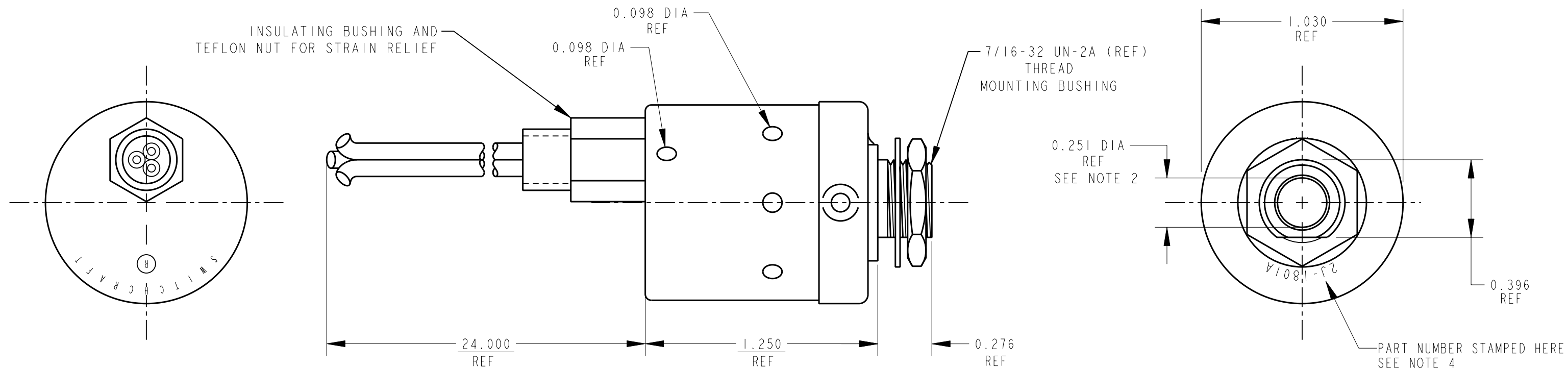


NOTES:

1. COVER ASSEMBLY IS PERMANENTLY SECURED TO CAN ASSEMBLY.
2. MATES WITH SWITCHCRAFT NO. 482 PLUG.
3. PACKAGED INDIVIDUALLY WRAPPED WITH NEUTRAL KRAFT PAPER, ONE PER MIL-B-121 BAG, ALL OVERBOXED INTO A CARTON.
4. MAINTAIN PART NUMBER WITH DASH AS SHOWN ON BOM, DRAWING AND SHIPPING BAR CODE LABEL.



MATERIAL SPECIFICATIONS:

MOUNTING BUSHING: BRASS, NICKEL PLATED
 INSULATION: PAPER BASE PHENOLIC.
 TIP & RING SPRINGS: NICKEL SILVER, INTEGRAL CONTACTS.
 SLEEVE TERMINALS: BRASS, HOT TINNED
 CAN: BRASS, NICKEL PLATED
 COVER: BRASS, NICKEL PLATED
 WASHER: STEEL, NICKEL PLATED
 HEX NUT: BRASS, NICKEL PLATED
 WIRE: SINGLE CONDUCTOR, UNSHIELDED, 18 AWG (19 X 30), SILVER COATED COPPER,
 INSULATING BUSHING: TEFLON
 TEFLON NUT: TEFLON

CUSTOMER: ROHR CORP.

CUSTOMER DRAWING

REV	ECO NUMBER	DATE	BY	APVD
A	25376	08-21-09	TJK	TJK
REVISIONS				

- ★ STAR SYMBOL DENOTES CRITICAL DIMENSION
- UNLESS OTHERWISE SPECIFIED
- 1. ALL DIMENSIONS IN INCHES
 - TWO PLACE DECIMALS ±0.01
 - THREE PLACE DECIMALS ±0.005
 - ANGLES ±1°
 - ALL DIA. CONCENTRIC WITHIN 0.005 T.I.R.
- 2. FEATURES ON THE SAME CENTERLINE MUST BE ALIGNED WITHIN ±0.002
- 3. REMOVE ALL BURRS

DO NOT SCALE DRAWING

THIS DRAWING DESCRIBES A DESIGN CONSIDERED PROPRIETARY IN NATURE, DEVELOPED AND MANUFACTURED BY SWITCHCRAFT INC. AND IS RELEASED ON A CONFIDENTIAL BASIS FOR IDENTIFICATION PURPOSES ONLY.									
SIZE	WIDTH	MULT	LBS/M	TEMPER					
FINISH					MATERIAL				
SPEC No.					SPEC No.				
FIRST USED ON					SCALE				
					NONE				
DATE DRAWN	BY	CHKD	APVD						
28-Mar-07	TJK	TJK	TJK						
		3-28-07	3-28-07						
NAME					PART No.				
SHIELDED					2J-1801A				
"LITTEL JAX" ASSEMBLY					REV				
					A				

Switchcraft

SHEET 1 OF 1