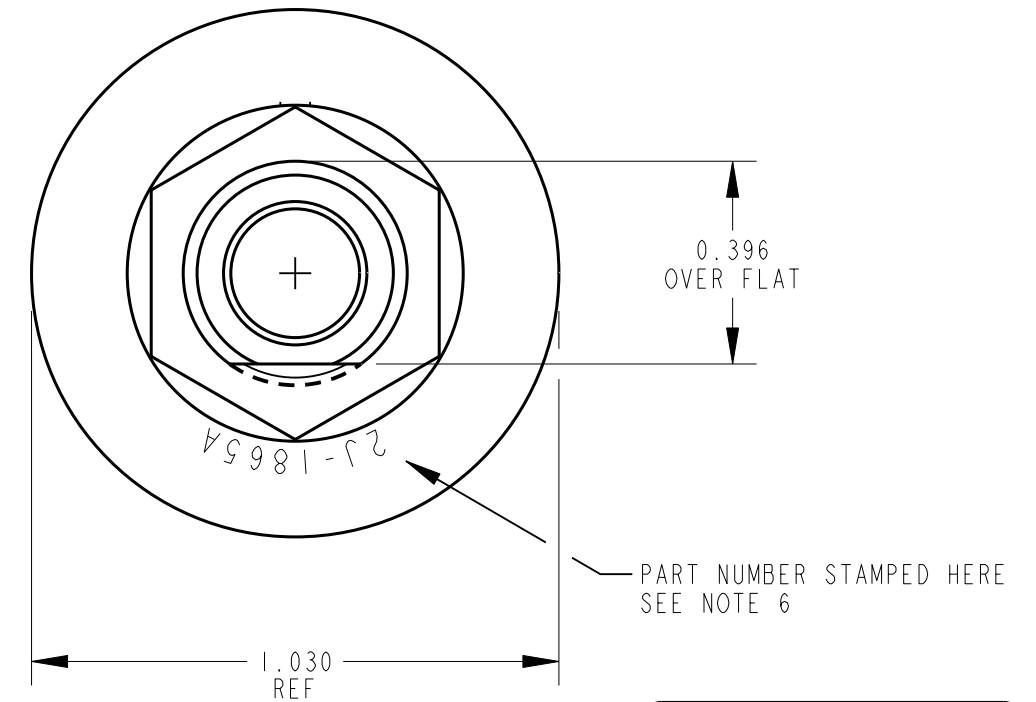
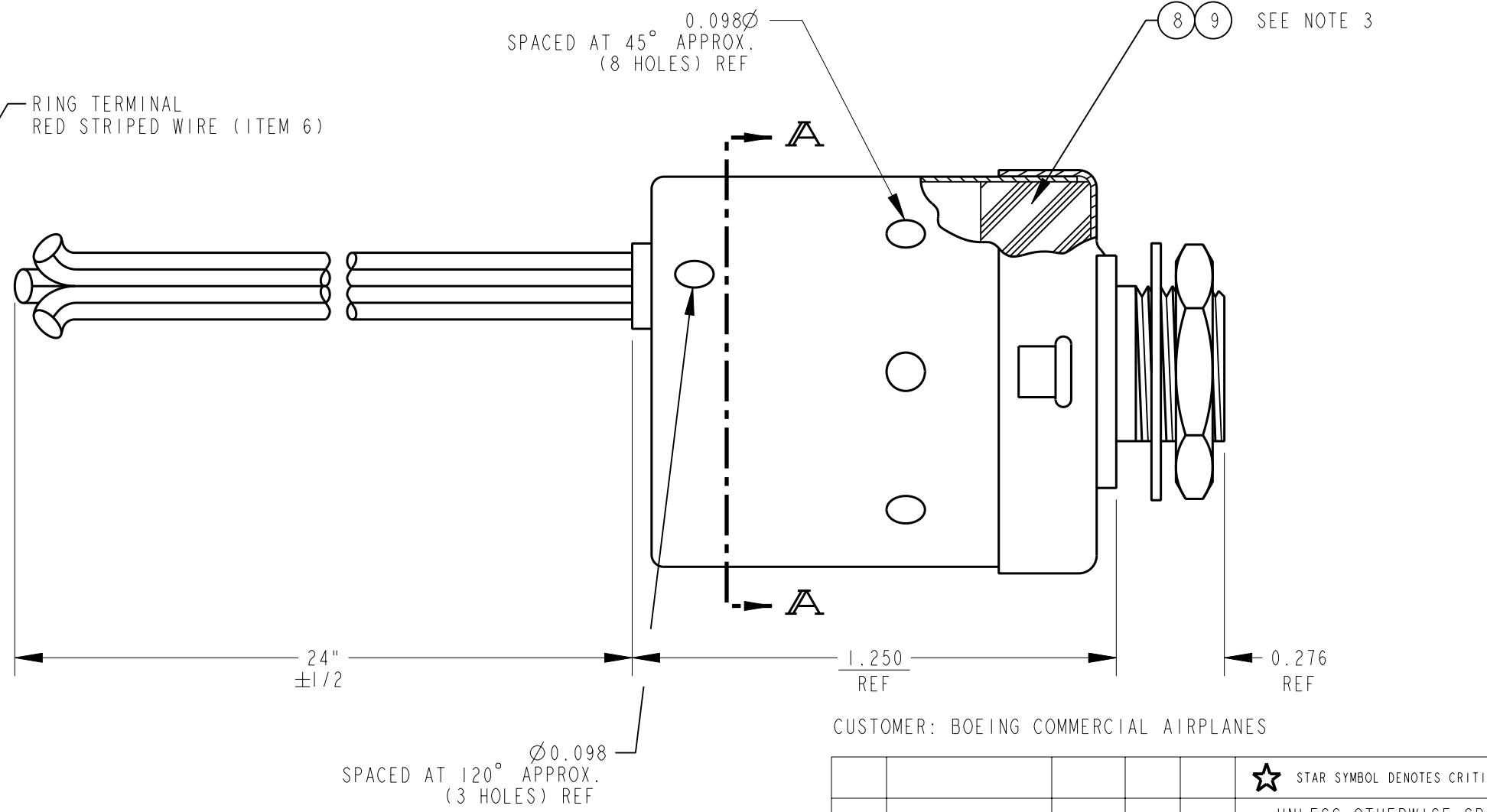
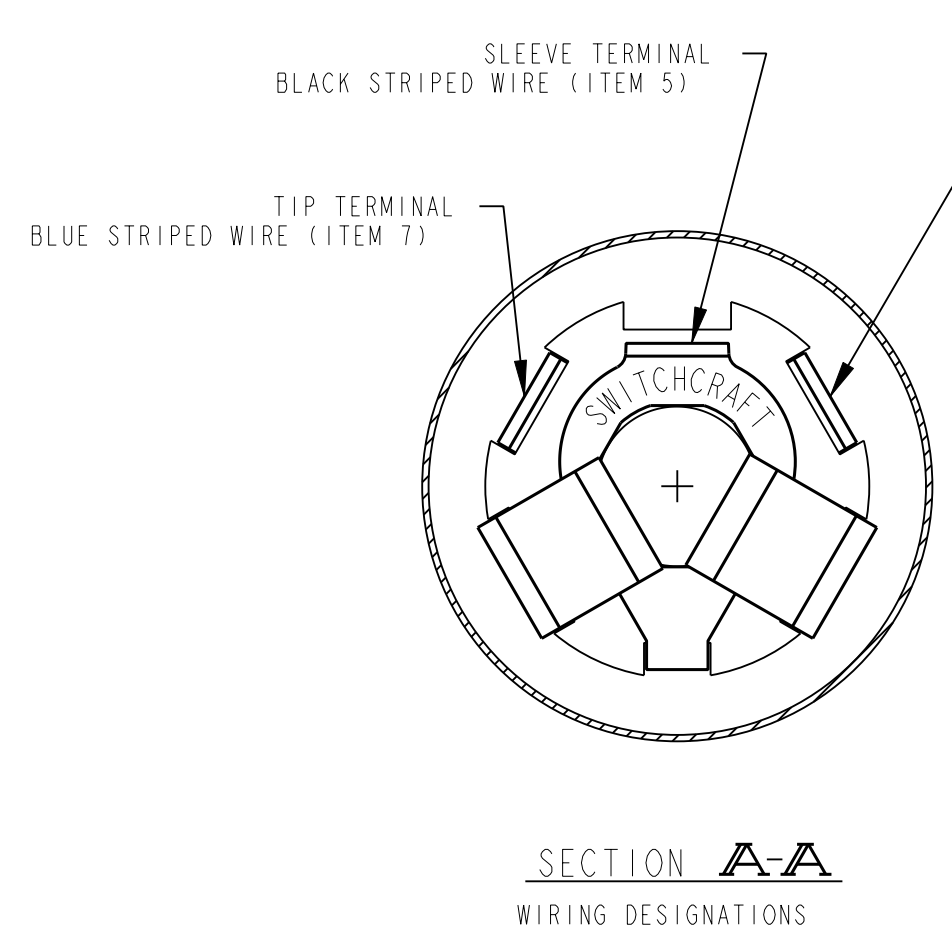
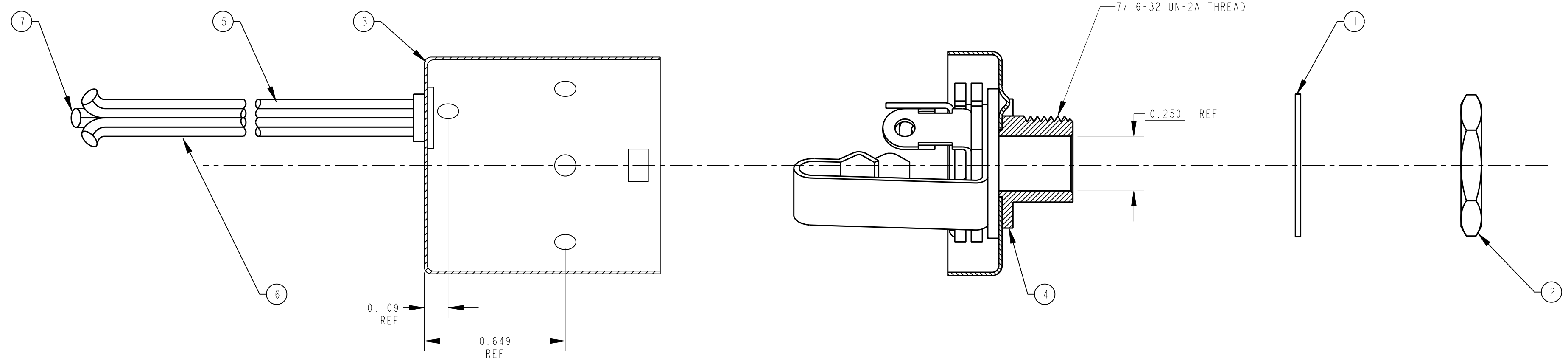


8 7 6 5 4 3 2 1

9	PRIMER, DOW CORNING 1201	AR
8	POTTING COMPOUND, DOW CORNING RTV 3110	AR
7	WIRE, 25 1/2", BLUE STRIPE	1
6	WIRE, 25 1/2", RED STRIPE	1
5	WIRE, 25 1/2", BLACK STRIPE	1
4	COVER/LITTEL JAX ASSEMBLY	1
3	CAN & BUSHING ASSEMBLY	1
2	HEX NUT	1
1	WASHER, METAL	1
ITEM	DESCRIPTION	REQ'D
STOCK LIST		

NOTES:

1. MATES WITH SWITCHCRAFT® NO.482 PLUG.
2. COVER IS PERMANENTLY SECURED TO CAN AFTER FINAL ASSEMBLY.
3. JACK INSULATORS ARE COMPLETELY ENCASED IN DOW CORNING RTV 3110 POTTING COMPOUND.
4. LEAD WIRE IS MIL-W-22759/34, 20 AWG.
5. SOLDERED WIRE CONNECTIONS AND JACK TERMINALS ARE FULLY INSULATED WITH PVC HEAT SHRINK SLEEVES.
6. MAINTAIN PART NUMBER WITH DASH AS SHOWN ON BOM, DRAWING AND SHIPPING BAR CODE LABEL.



CUSTOMER: BOEING COMMERCIAL AIRPLANES

CUSTOMER DRAWING

<p>★ STAR SYMBOL DENOTES CRITICAL DIMENSION</p> <p>UNLESS OTHERWISE SPECIFIED</p> <p>1. ALL DIMENSIONS IN INCHES - TWO PLACE DECIMALS ±0.01 - THREE PLACE DECIMALS ±0.005 - ANGLES ±1° - ALL DIA. CONCENTRIC WITHIN 0.005 T.I.R.</p> <p>2. FEATURES ON THE SAME CENTERLINE MUST BE ALIGNED WITHIN ±0.002</p> <p>3. REMOVE ALL BURRS</p> <p>DO NOT SCALE DRAWING</p>				<p>THIS DRAWING DESCRIBES A DESIGN CONSIDERED PROPRIETARY IN NATURE, DEVELOPED AND MANUFACTURED BY SWITCHCRAFT INC. AND IS RELEASED ON A CONFIDENTIAL BASIS FOR IDENTIFICATION PURPOSES ONLY.</p>			
SIZE	WIDTH	MULT	LBS/M	TEMPER	MATERIAL SPEC No.		
FINISH SPEC No.			SCALE I = 0.375		<p>Switchcraft®</p> <p>SHEET OF </p>		
DATE DRAWN	BY	CHKD	APVD	<p>29-Aug-06 TJK 8-29-06 8-29-06</p>			
REV	ECO NUMBER	DATE	BY	APVD	NAME	REV	
REVISIONS				SHIELDED "LITTEL JAX" ASSEMBLY		<p>PART No. 2J-1865A</p> <p>REV A</p>	

8 7 6 5 4 3 2 1