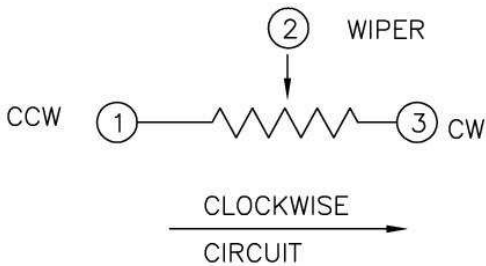
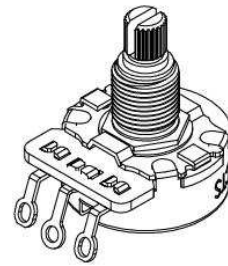
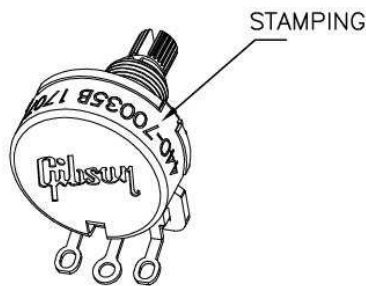
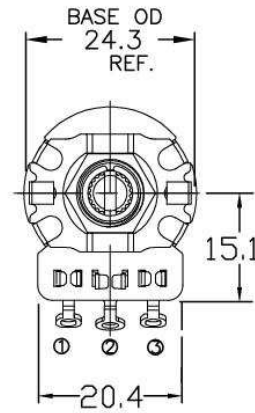
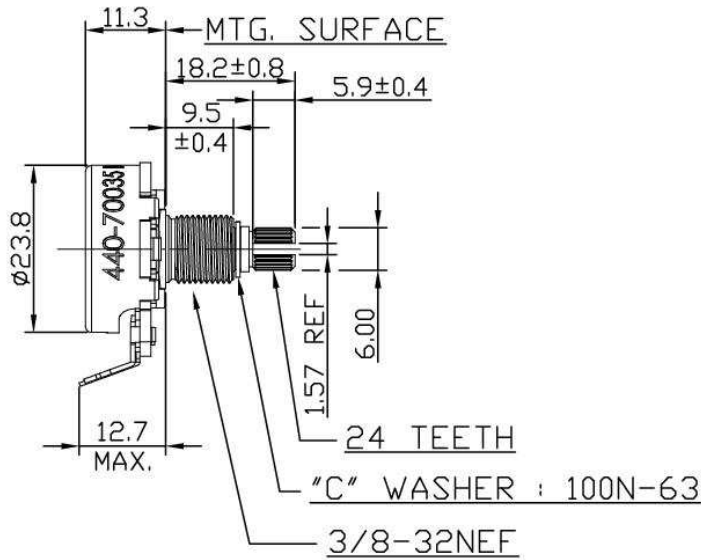


UNIT : mm

SLOT LOCATION RANDOM



NOTES:

1. RESISTANCE : 500K±20%
2. RESIDUAL RESISTANCE :  
HEHO : 250 ohms max.  
LEHO : 50 ohms max.
3. CURVE TYPE : NON-LINEAR, CTS TYPE B
4. BUSHING & SHAFT WITH BRASS.
5. TIN PLATED COVER AND ANTI-STATIC LUBE ARE REQUIRED.
6. TURNING TORQUE : 0.1~2 IN.OZ
7. STAMPING : 440-70035B DATE CTS
8. HARDWARE : N/A
9. FOR ADDITIONAL REQUIREMENTS SEE CTS ENG. SPEC. # EN-SPE-450001N

COMPONENTS TAIWAN LTD. KAOHSIUNG, TAIWAN, ROC		CUSTOMER : <b>Gibson</b>	
CTS PART NO.	<b>450S4025</b>	REV	SAMPLE REQUEST: <b>450-8274</b> CUSTOMER APPROVAL: ( SIGNATURE & DATE )
CUSTOMER PART NO.	<b>440-70035B</b>		
ISSUED DATE : <b>02/16/17'</b>	TOLERANCE UNLESS OTHERWISE SPECIFIED .X (1 PLACE) : ± 0.3 .XX (2 PLACE) : ± 0.13 ANGLE : ± 5°		CHECKED BY : <i>S.S. Chen</i> APPROVED BY : <i>Jerry</i>
CTS TYPE : <b>T450SF</b>			

