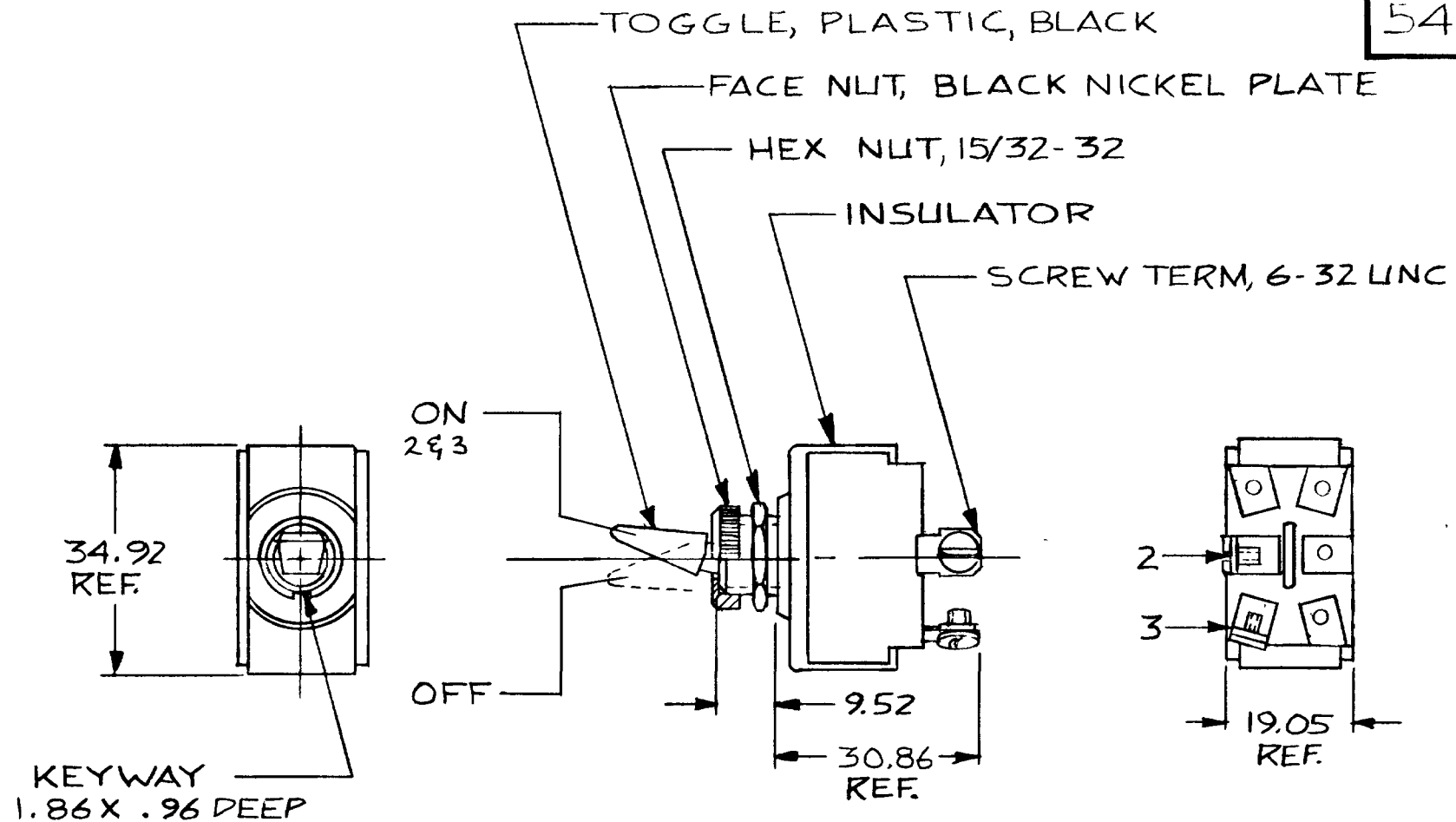


MM IN
 .96 .038
 1.82 .072
 9.52 .375
 19.05 .750
 30.86 1.215
 34.92 1.375


54100



NOTES
 1. SILVER CONTACTS
 2. RATING: 25AMPS @12V. DC.
 LAMP LOAD

METRIC

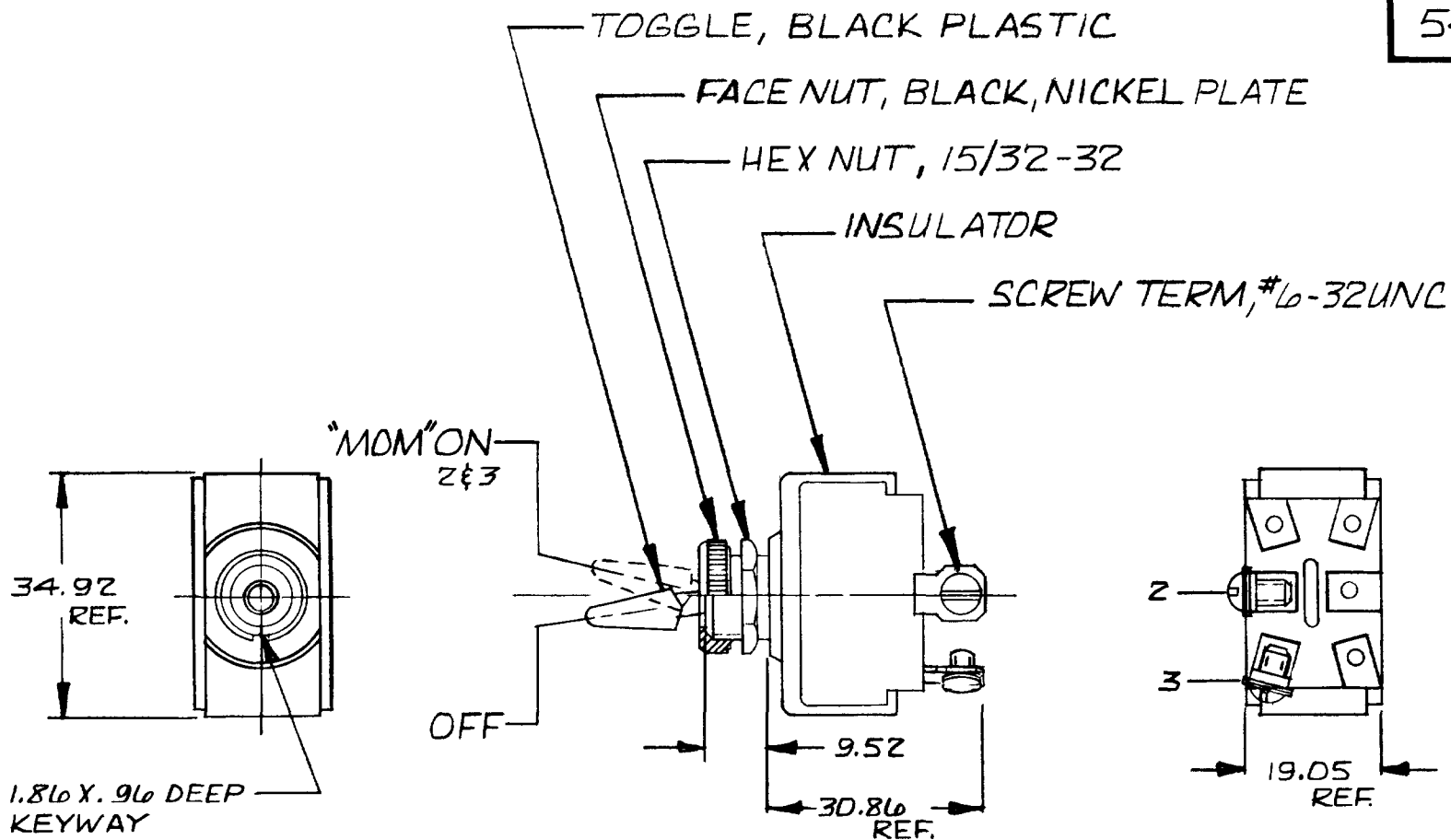
DO NOT SCALE

LET	WAS	DATE	BY	LET	WAS	DATE	BY	MATERIAL	DRAWN	CHECKED	APPR'D	SCALE	DATE DRAWN
								—H—	DPS	RJA		1:1	10-5-81
								FINISH	 20 OLD COLONY AVENUE SOUTH BOSTON MA U.S.A 02127				DATE BLUEPRINT
								—H—					
								TOLERANCES	S.P.S.T. TOGGLE SW.				54100
								DECIMAL ±.010					
					ISSUED	11-2-81	RJA	METRIC ±.25					

CH-188(4-78)

.010	.010
.96	.038
1.82	.072
9.52	.375
19.05	.750
30.86	1.215
34.92	1.375


54101



- NOTES:
1. SILVER CONTACTS
 2. RATING 25AMP @ 12V DC LAMP LOAD

METRIC

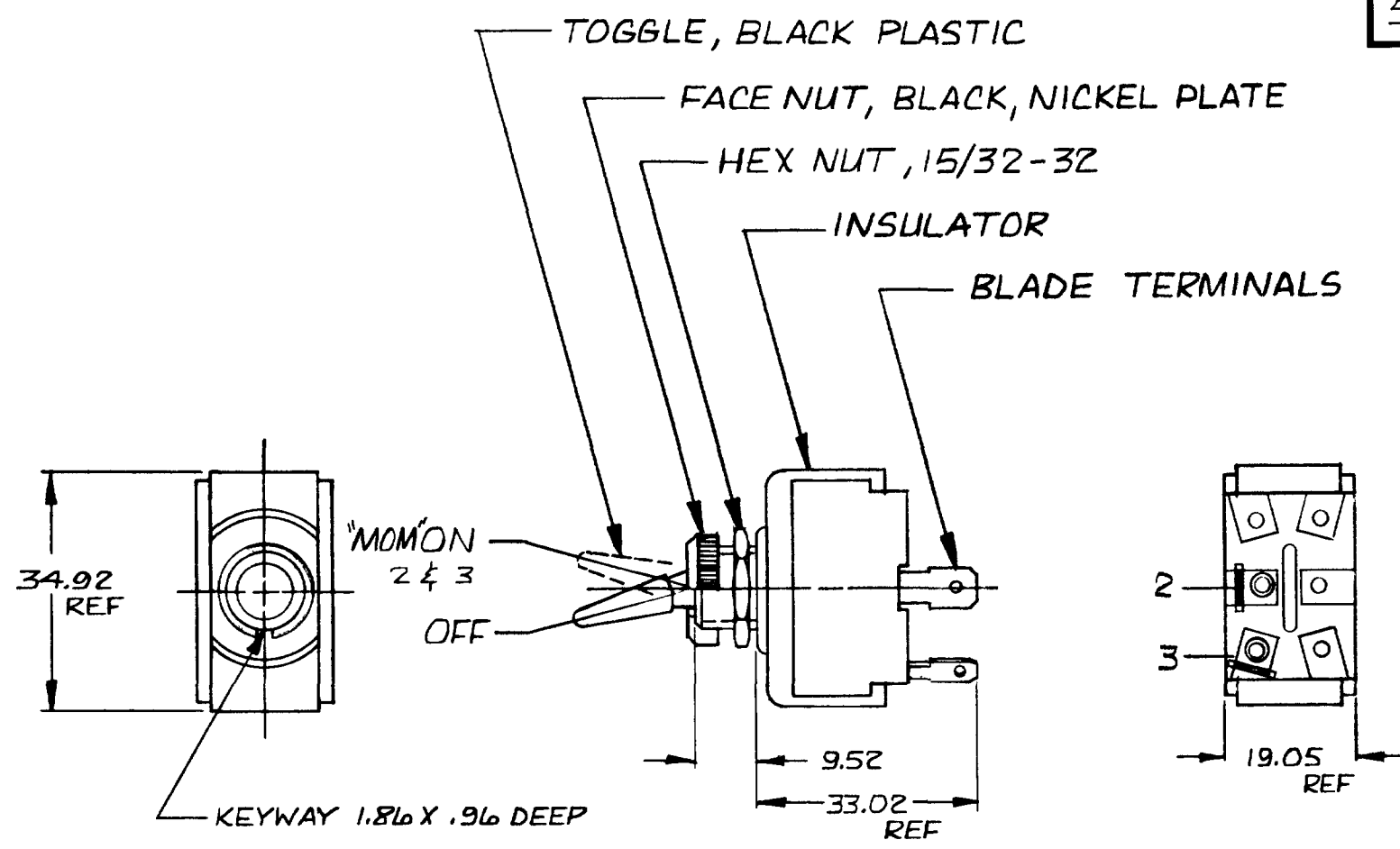
DO NOT SCALE

LET	WAS	DATE	BY	LET	WAS	DATE	BY	MATERIAL	DRAWN	CHECKED	APPRV D	SCALE	DATE DRAWN
								— # —	Ⓡ	RJA		1:1	11-3-81
								FINISH	 Cole Hersee Co. <small>20 OLD COLONY AVENUE SOUTH BOSTON MA U.S.A 02127</small>				DATE BLUEPRINT
								— # —					
								TOLERANCES	S.P.S.T. TOGGLE SWITCH				54101
								DECIMAL ±					
								METRIC ± .25					
					Issued	11-4-81	RJA						

CH-188(4-78)

MM	IN
.25	.010
.96	.038
1.86	.072
9.52	.375
19.05	.750
33.02	1.300
34.92	1.375


54101-01



- NOTES:
1. SILVER CONTACTS
 2. RATING: 25 AMPS @ 12 VDC LAMP LOAD

METRIC

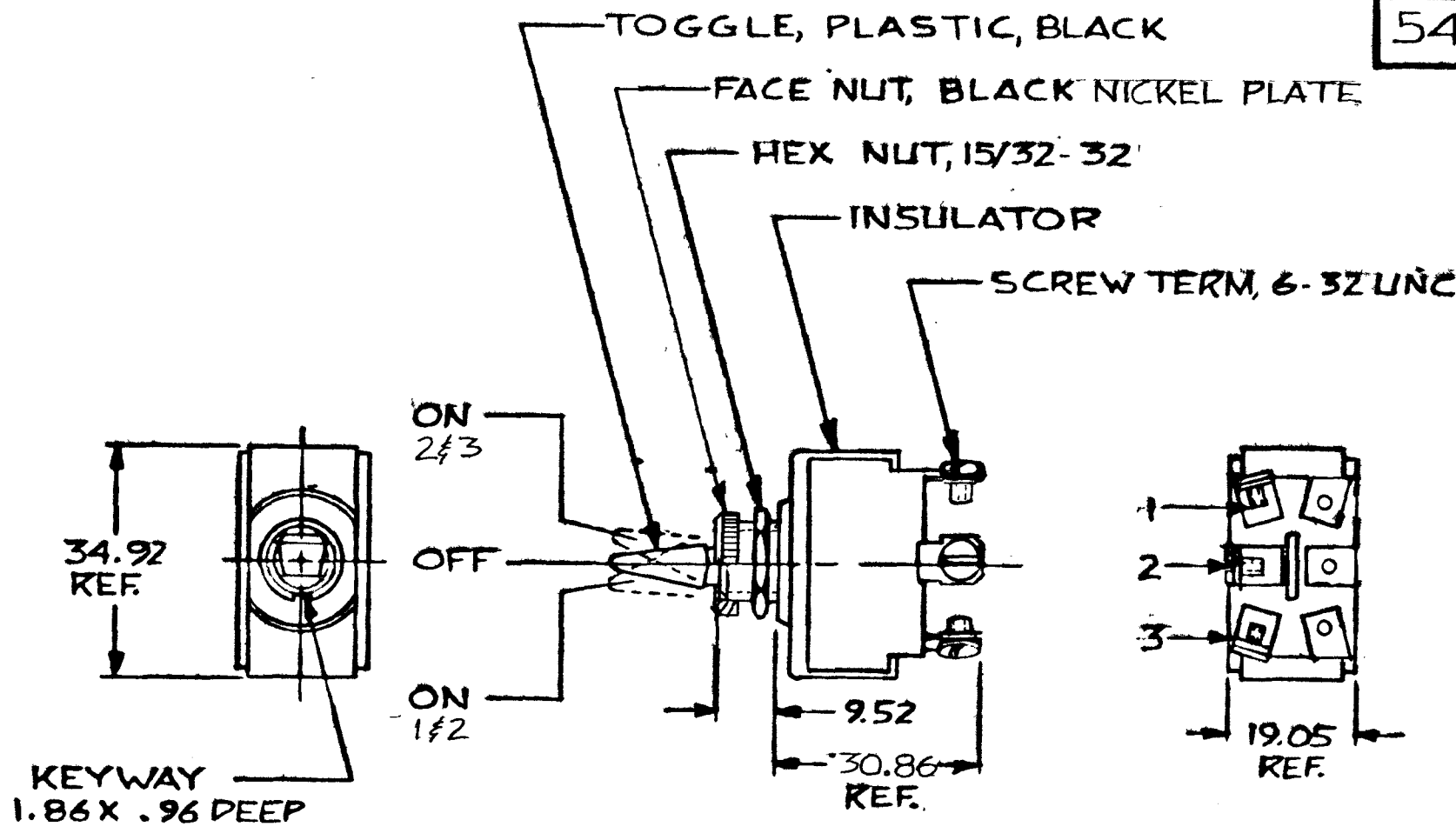
DO NOT SCALE

LET	WAS	DATE	BY	LET	WAS	DATE	BY	MATERIAL	DRAWN	CHECKED	APPRV D	SCALE	DATE DRAWN
								#	R	RJA		1:1	11-5-81
								FINISH	 20 OLD COLONY AVENUE SOUTH BOSTON MA U.S.A. 02127				DATE BLUEPRINT
								#					
								TOLERANCES	S.P.-S.T. MDM. TOGGLE SW.				54101-01
								DECIMAL ±					
								METRIC ±.25					

CH-188(4-78)

MM	IN
.96	.038
1.82	.072
9.52	.375
19.05	.750
30.86	1.215
31.92	1.375

54103



NOTES
 1. SILVER CONTACTS
 2. RATING: 25AMPS @12V. DC LAMP LOAD

METRIC

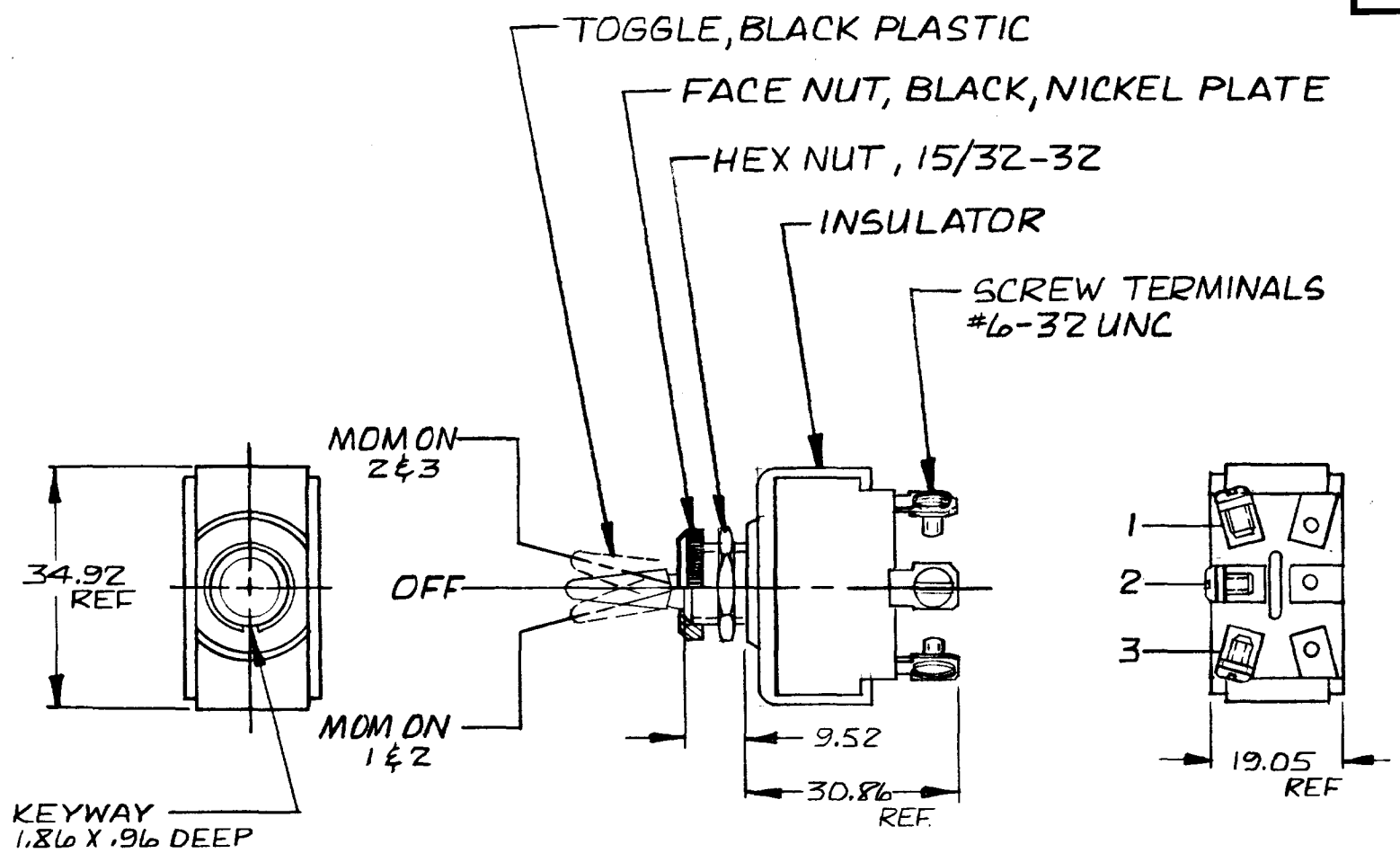
DO NOT SCALE

LET	WAS	DATE	BY	LET	WAS	DATE	BY	MATERIAL	DRAWN	CHECKED	APPRV D	SCALE	DATE DRAWN
								—H—	DPS	RJH		1:1	10-5-81
								FINISH	 Cole Hersee Co. <small>20 OLD COLONY AVENUE SOUTH BOSTON, MA U.S.A. 02127</small>				DATE BLUEPRINT
								TOLERANCES					
								DECIMAL ±.010	S.P.D.T. TOGGLE SW. 54103				
								METRIC ±.25					
					ISSUED	11-2-81	RVP						

10014-78

54104


MM	IN
.25	.010
.96	.038
1.82	.072
9.52	.375
19.05	.750
30.86	1.215
34.92	1.375



- NOTES:
1. SILVER CONTACTS
 2. RATING: 25 AMPS @ 12V DC LAMP LOAD

METRIC

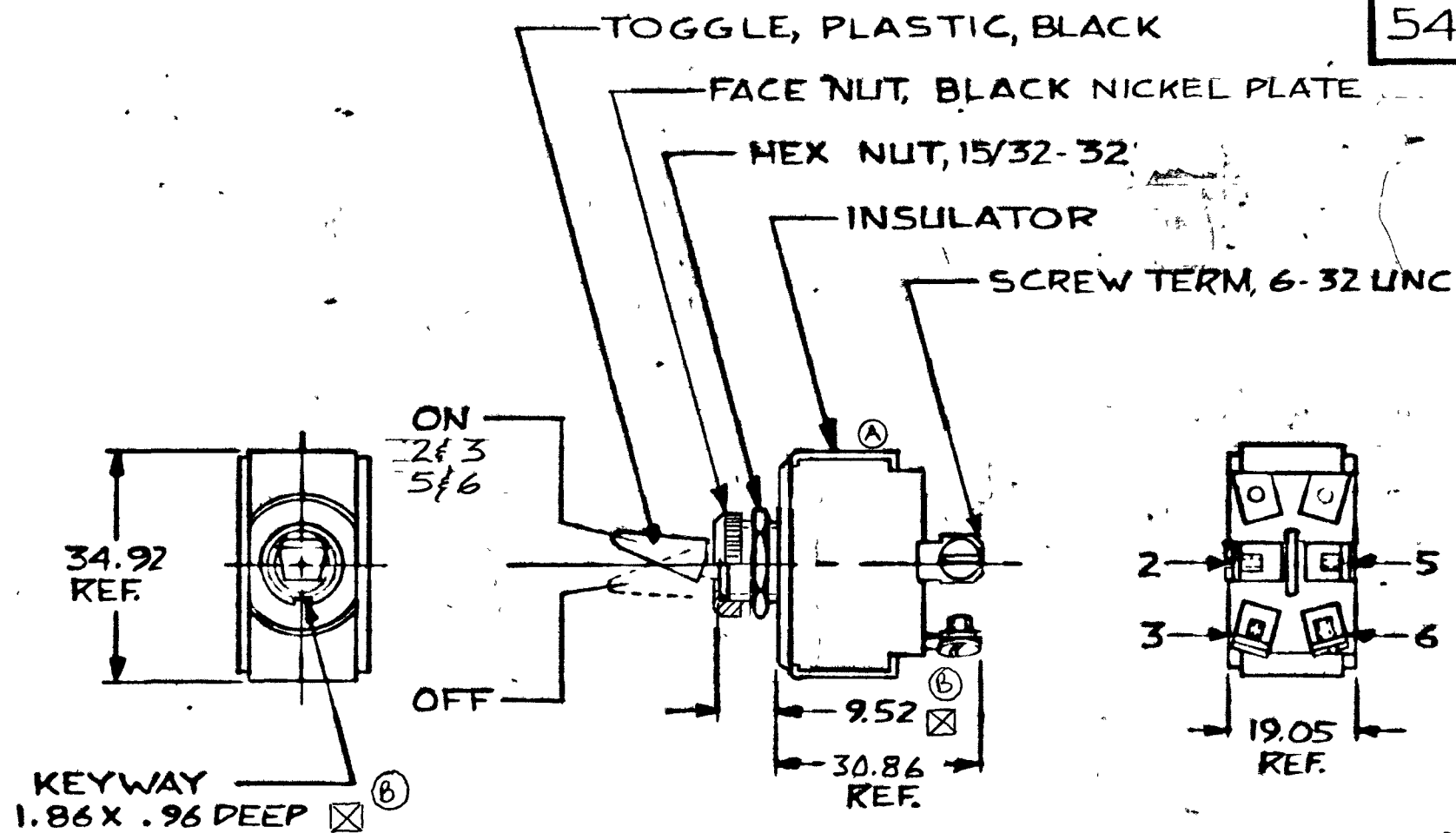
DO NOT SCALE

LET.	WAS	DATE	BY	LET	WAS	DATE	BY	MATERIAL	DRAWN	CHECKED	APPRV'D.	SCALE	DATE DRAWN
								#	B	RJ		1:1	11-5-81
								FINISH	 20 OLD COLONY AVENUE SOUTH BOSTON, MA. U.S.A. 02127				DATE BLUEPRINT
								TOLERANCES					S.P.-D.T. MOM TOGGLE SW
					ISSUED	11-6-81	RH	DECIMAL ±					
								METRIC ±.25					

CH-188(4-78)

MM	IN
.96	.038
1.82	.072
9.52	.375
19.05	.750
30.86	1.215
34.92	1.375

54105



NOTES
 1. SILVER CONTACTS
 2. RATING: 25AMPS @12V. DC LAMP LOAD

METRIC

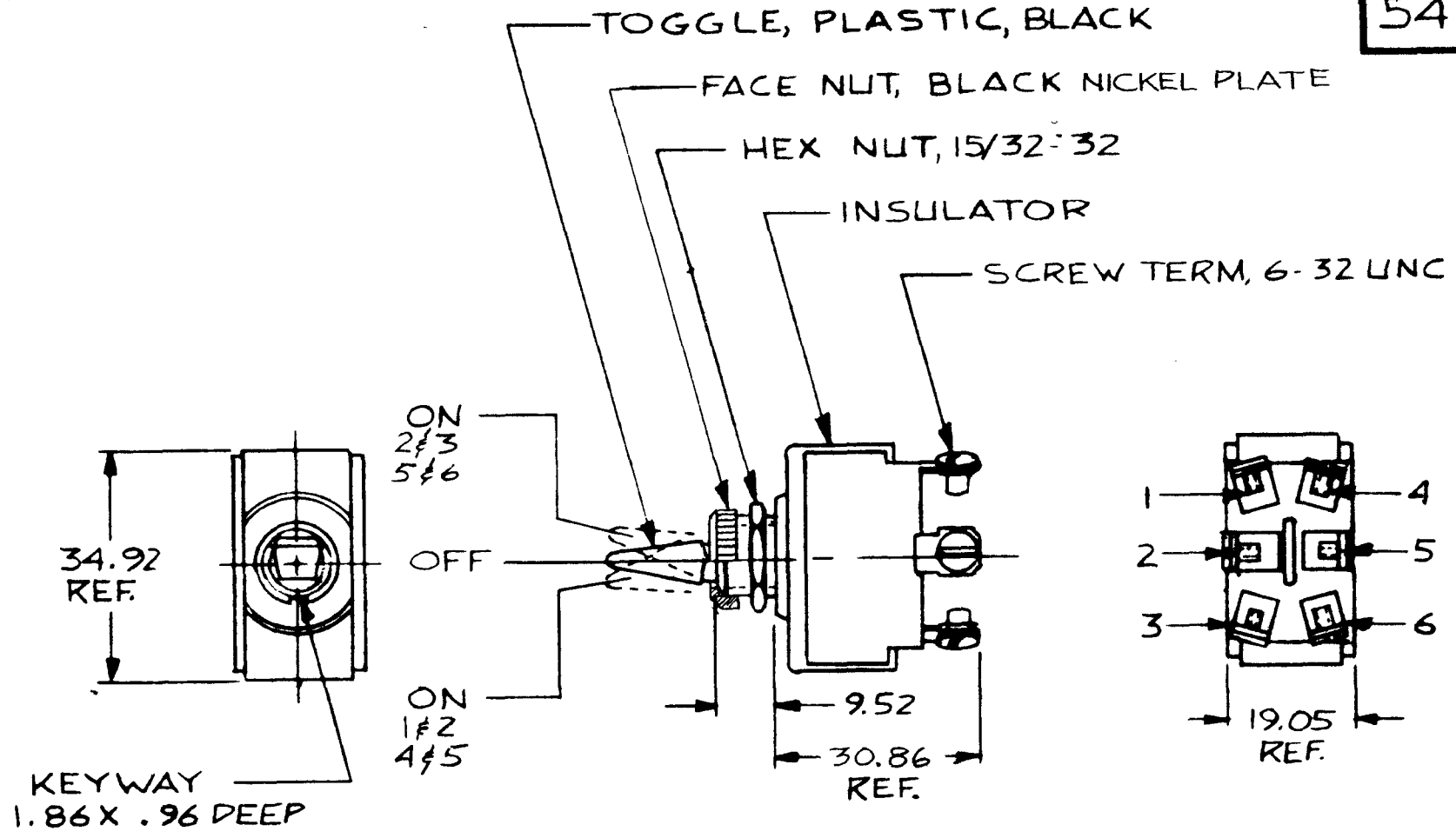
DO NOT SCALE

LET	WAS	DATE	BY	LET	WAS	DATE	BY	MATERIAL	DRAWN	CHECKED	APPRV D	SCALE	DATE DRAWN
								—#—	DPS	RJT		1:1	10-5-81
								FINISH	 Cole Hersee Co. <small>21 OLD COLONY AVENUE SOUTH BOSTON MA U.S.A. 02127</small>				DATE BLUEPRINT
				B	ADD SYMBOL	2/25/92	AF	—#—					
				A	REVISE VIEW / 23007	3/14/86	YAK	TOLERANCES	D.P.S.T. TOGGLE SW. 54105				
					ISSUED	11-2-81	RJT	DECIMAL ±.010 METRIC ±.25					

EN 18814-781

54107

MM	IN
.76	.038
.82	.072
.52	.375
10.05	.750
30.86	1.215
41.92	1.575



NOTES
 1. SILVER CONTACTS
 2. RATING: 25AMPS @12V. DC LAMP LOAD

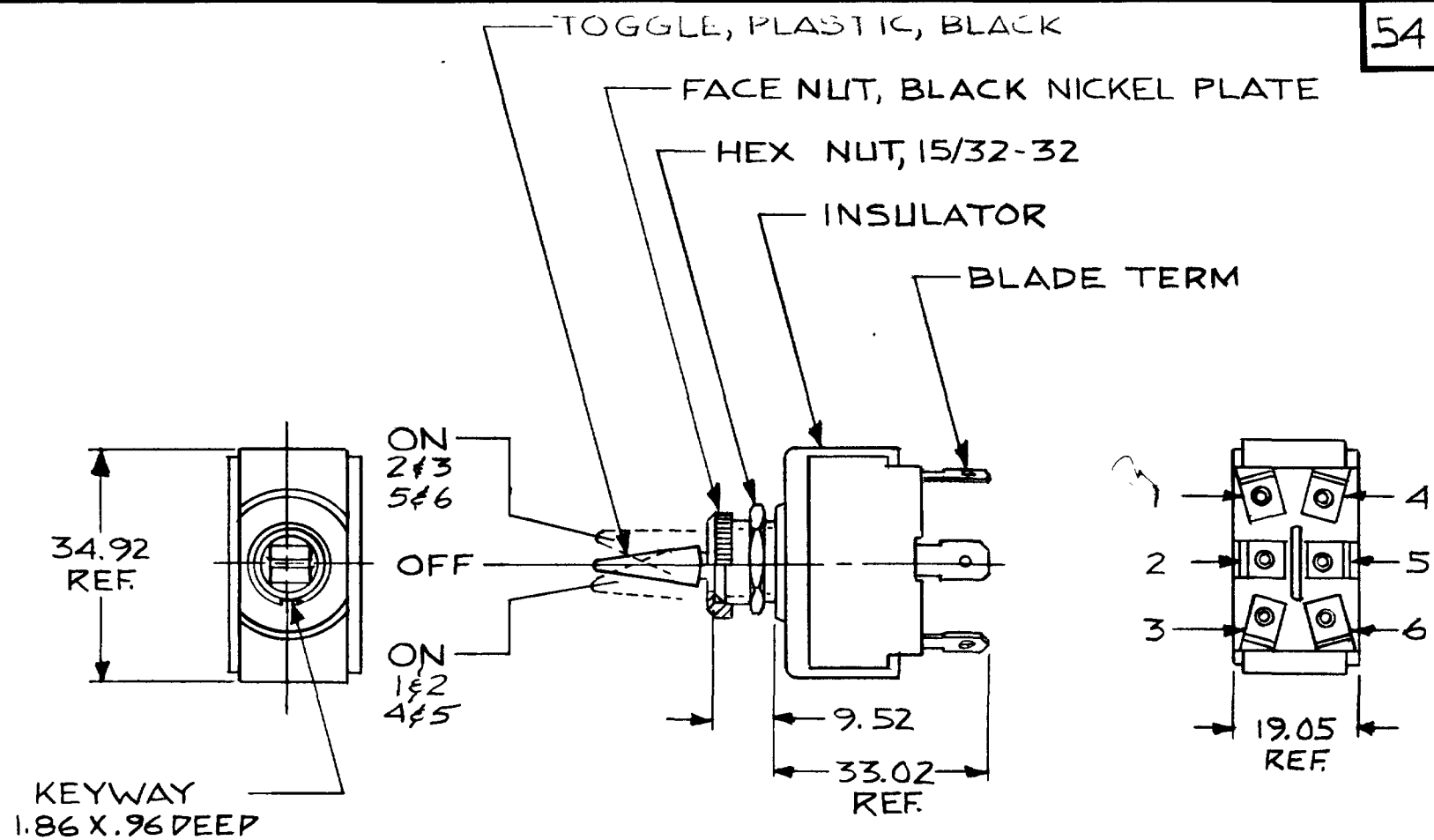
METRIC

DO NOT SCALE

LET	WAS	DATE	BY	LET	WAS	DATE	BY	MATERIAL	DRAWN	CHECKED	APPROVED	SCALE	DATE DRAWN
								#	DPS	RJA		1:1	10-5-81
								FINISH	 Cole Hersee Co. <small>20 OLD COLONY AVENUE SOUTH DENVER, CO. U.S.A. 80177</small>				DATE BLUEPRINT
								#					
								TOLERANCES	D.P.D.T. TOGGLE SW.				54107
								DECIMAL ± .010					
								METRIC ± .25					
					ISSUED	11-2-81	RJP						

MM IN
 .96 .038
 1.86 .072
 9.52 .375
 19.05 .750
 33.02 1.300
 34.92 1.375


54107-01



METRIC

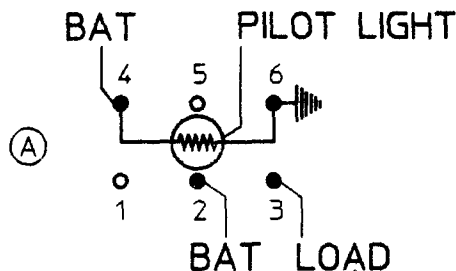
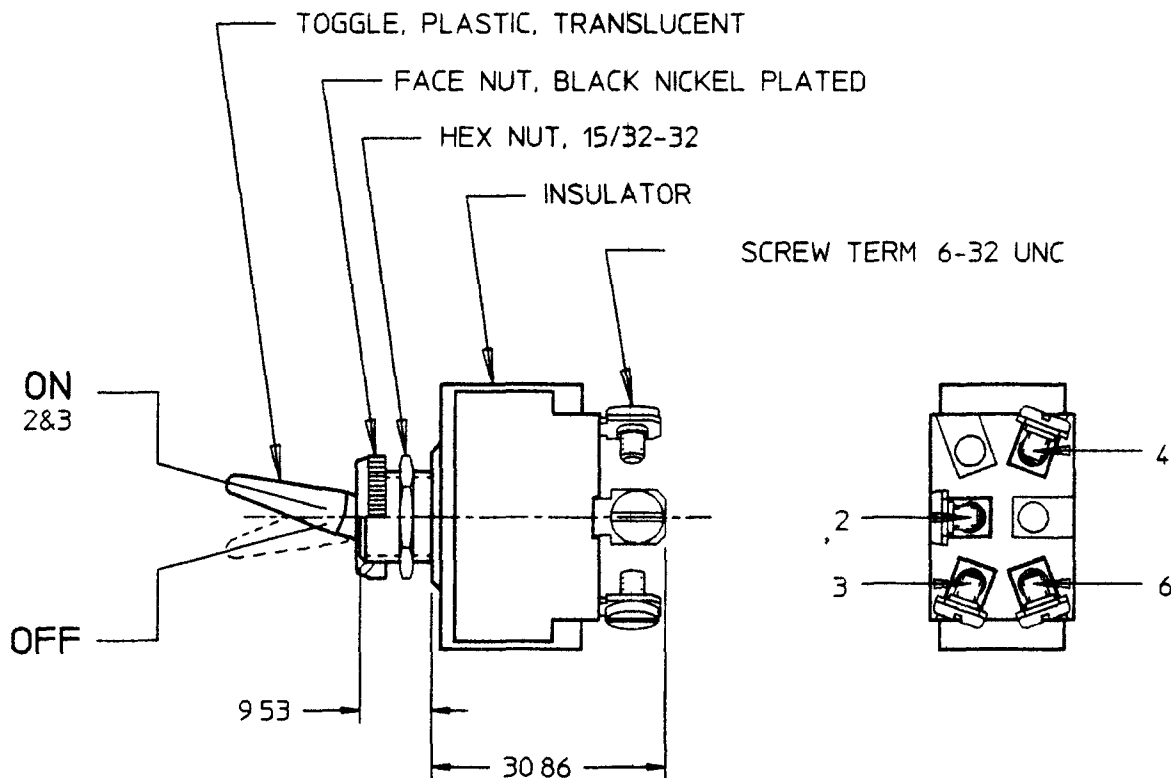
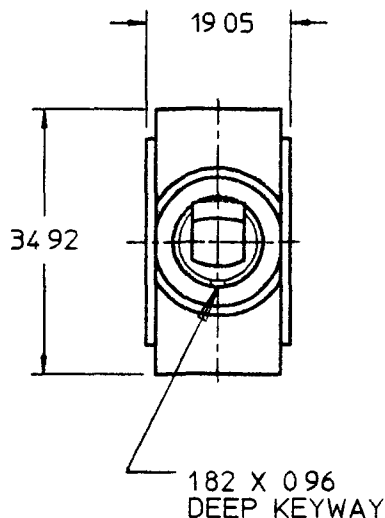
NOTES:
 1. SILVER CONTACTS
 2. RATING: 25AMPS @ 12V. D.C.
 LAMP LOAD

DO NOT SCALE

LET	WAS	DATE	BY	LET	WAS	DATE	BY	MATERIAL	DRAWN	CHECKED	APPRV'D	SCALE	DATE DRAWN
								—H—	DPS	RJZ		1:1	10-2-81
								FINISH	 Cole Hersee Co. <small>20 OLD COLONY AVENUE SOUTH BOSTON MA U.S.A. 02127</small>				DATE BLUEPRINT
								—H—					
								TOLERANCES	D.P.D.T. TOGGLE SW				54107-01
								DECIMAL ±.010					
								METRIC ±.25					
					Issued	11-2-81	RJZ						

CH-188(4-78)

MM	IN
0 96 0	0 32
1 82 0	0 72
9 53 0	3 75
19 05 0	7 50
30 86 1	2 15
34 92 1	3 75



- NOTES
- 1 SILVER CONTACTS
 - 2 25 AMPS @ 12V DC LAMP LOAD
 - 3 INDEPENDENT PILOT LIGHT (12V BULB) @ 4 & 6 (SEE CHART FOR COLOR)
 - 4 NEOPRENE SEAL IN BUSHING
 - 5 ALL DIMENSIONS REFERENCE

ON	RED
OFF	WHITE
TOGGLE POS	PILOT LT 'ON' TOGGLE COLOR

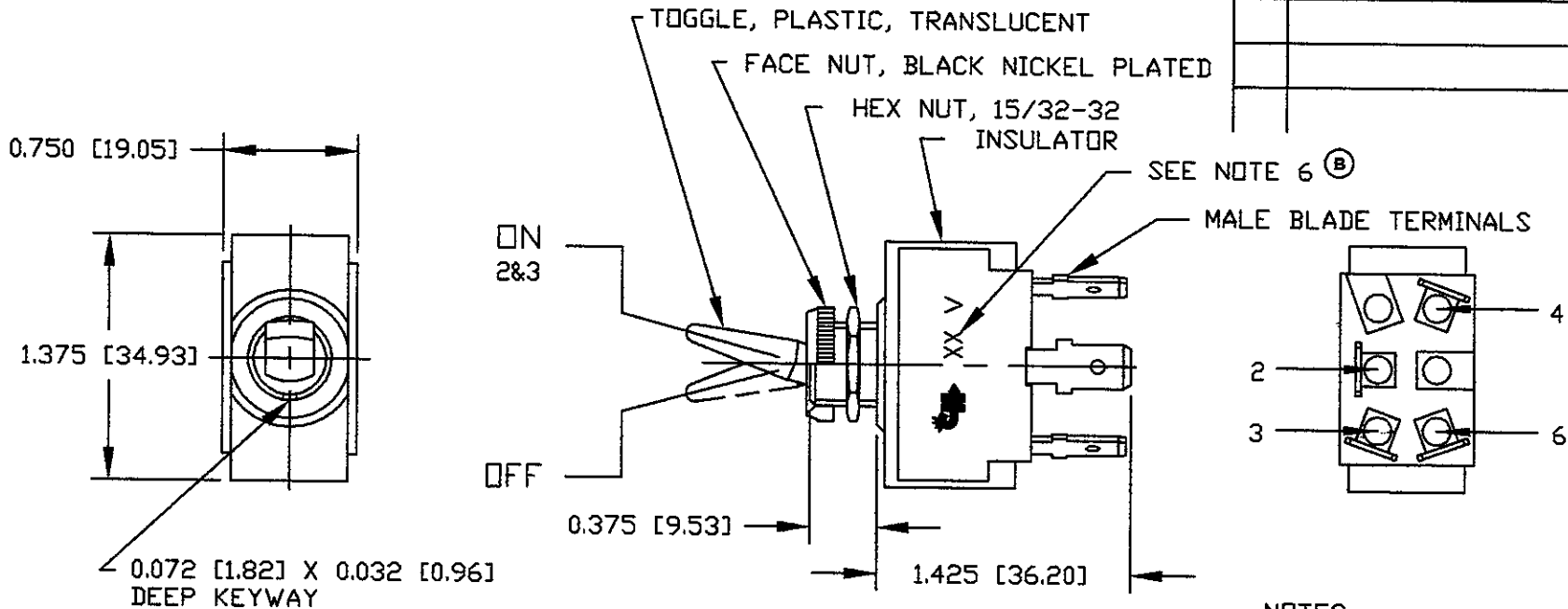
METRIC

DO NOT SCALE

LET	WAS	DATE	BY	LET	WAS	DATE	BY	MATERIAL	DRAWN DPS	CHK AF	APVD	SCALE 11	DATE DRAWN 9/30/81
								FINISH	Cole Hersee Co. 20 OLD COLONY AVENUE BOSTON MA USA 02127			DATE BLUEPRINTED	
				A	PUT ON CAD ECN 26129	3/5/96	EB	TOLERANCES DECIMAL ± ANGLE ±	SW, TOGGLE SPST			54109	
					ISSUED	11/2/81	RJF					Confidential Property of Cole Hersee	

Revision Control Record

Rev.	Description of Change	ECN No.	Date
B	ADD LOGO & VOLTAGE NOTE	07303	08/06/07



- NOTES:
- SILVER CONTACTS
 - 25 AMPS @ 12V DC LAMP LOAD
 - INDEPENDENT PILOT LIGHT (12V BULB) @ 4 & 6 (SEE CHART FOR COLOR)
 - NEOPRENE SEAL IN BUSHING
 - ALL DIMENSIONS REFERENCE
 - IMPRINT CH LOGO & 12V

ON	RED
OFF	WHITE
TOGGLE POS.	PILOT LT "ON" TOGGLE COLOR

Tolerances. Unless otherwise specifically noted, the following are default tolerances:
 * 2-place Decimal Dimensions $\pm .02$ "
 * 3-place Decimal Dimensions $\pm .005$ "
 * Angular Dimensions ± 1.0 Deg.
 * Metric: Refer to equivalent English Dimension Tolerance
 >>> NOTE: All tolerances are Non-Cumulative. <<<

Dimensional Units. All dimensions are expressed in inches except those shown in brackets (xxx) are expressed in millimeters

"REF." or an Asterisk (*) = Non-Toleranced Reference Dimension, shown for clarification purposes only.

PROPRIETARY INFORMATION. This Engineering Drawing, and the information contained herein, is proprietary to Cole Hersee Company and may not be disclosed, reproduced, or in any other way transferred or communicated to any other party without the express written consent of an authorized representative of Cole Hersee Company.

DESIGN CONTROL. It is the responsibility of the individual using / referencing this drawing to ensure that the noted design revision level agrees with the revision level of the Controlled Document (Master Drawing). This is a NON-CONTROLLED DOCUMENT unless otherwise specifically noted.

DO NOT SCALE - Dimensional variation may occur during printing / reproduction.

Special Characteristics:

- Critical Characteristic, relating to Safety and/or Regulatory Compliance
- Significant Characteristic relating to Process Control (SPC)
- Key Characteristic relating to Form - Fit - Function as defined by Cole Hersee Company and/or the Customer

(Note that the identification of any Characteristics as being "Special" does not alter the requirement that ALL specified dimensions & tolerances must be met.)

Cole Hersee Co.
 20 Old Colony Ave., South Boston, MA, 02127
 Phone: 617-268-2100 Web: www.colehersee.com

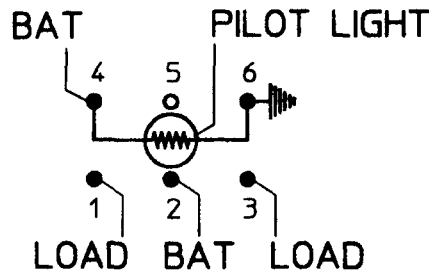
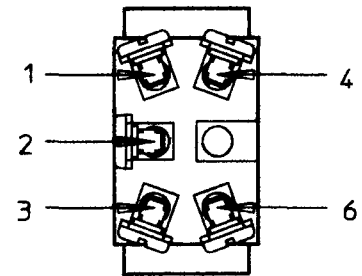
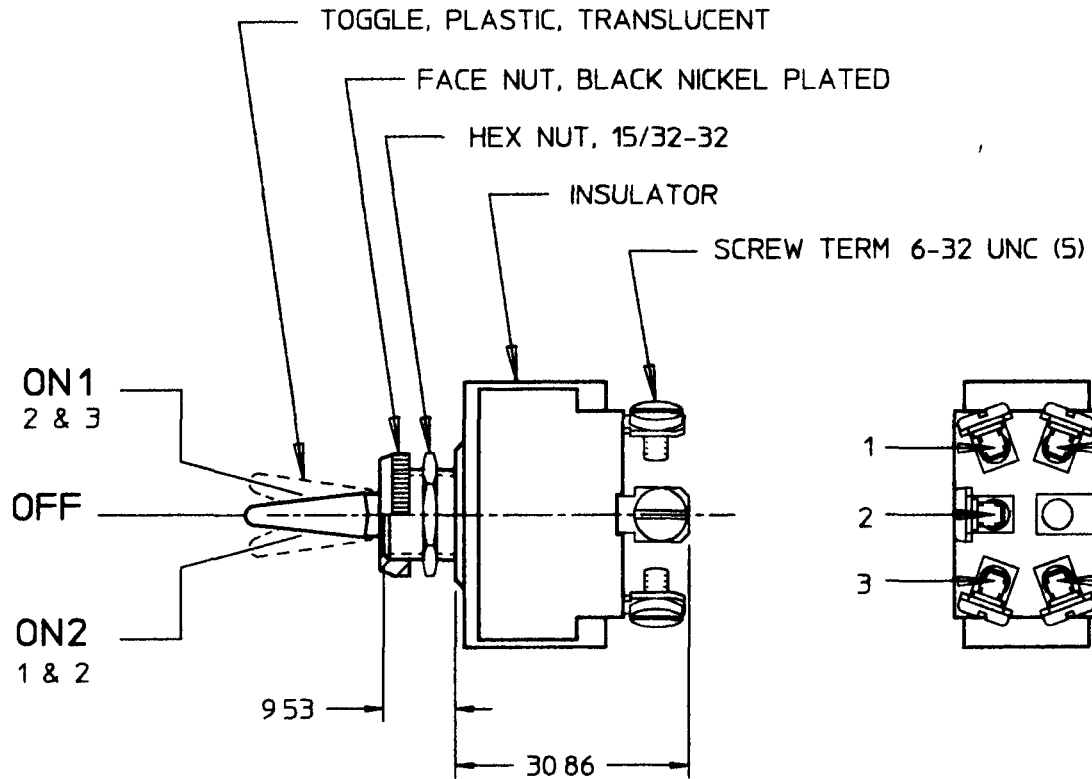
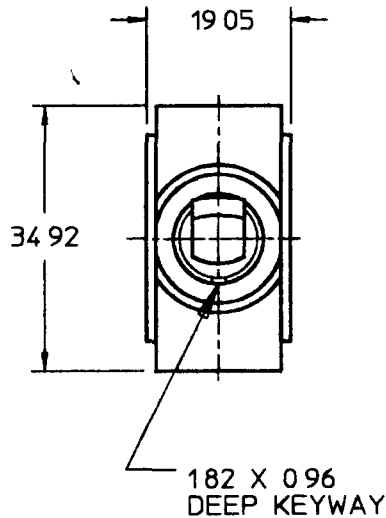
Description: **SW, TOGGLE, SPST**

Used On or Ref.:	Scale: 1:1	Drawn By: DPS	Date Drawn: 09/30/81	Responsible Engineer: GA	Pg. 1 of 1
------------------	-------------------	----------------------	-----------------------------	---------------------------------	------------

Drawing / Part No.: 54109-01	Current Rev.: B
-------------------------------------	------------------------

54110

MM	IN
0 96	0 032
1 82	0 072
9 53	0 375
19 05	0 750
30 86	1 215
34 92	1 375



- NOTES
- 1 SILVER CONTACTS
 - 2 25 AMPS @ 12V DC LAMP LOAD
 - 3 INDEPENDENT PILOT LIGHT (12V BULB) @ 4 & 6 (SEE CHART FOR COLOR)
 - 4 NEOPRENE SEAL IN BUSHING
 - 5 ALL DIMENSIONS REFERENCE

ON1	RED
OFF	WHITE
ON2	WHITE
TOGGLE POS.	PILOT LT 'ON' TOGGLE COLOR

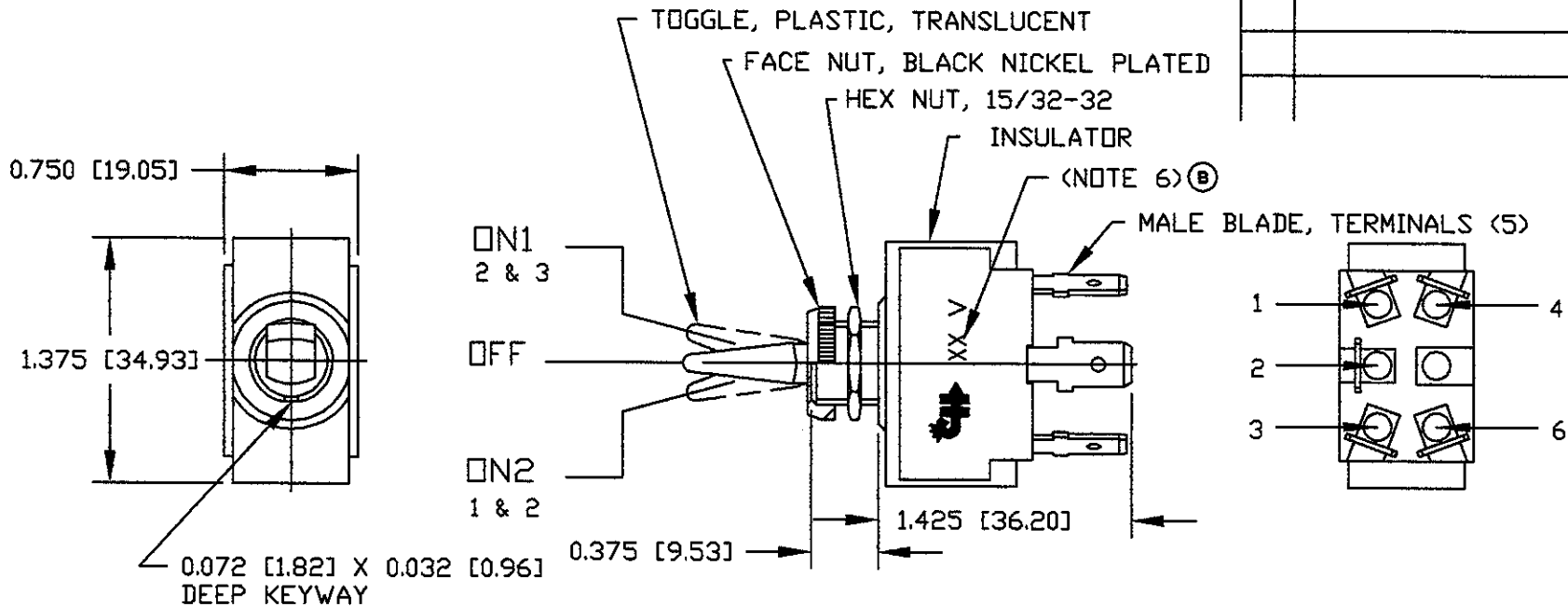
METRIC

DO NOT SCALE

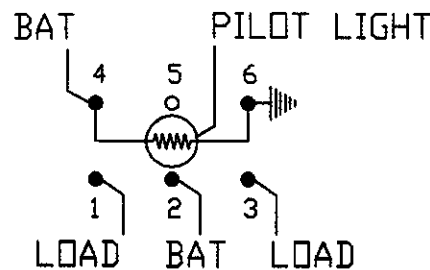
LET	WAS	DATE	BY	LET	WAS	DATE	BY	MATERIAL	DRAWN	CHK	APVD	SCALE	DATE DRAWN
									DPS	AF		11	9/29/81
								FINISH	Cole Hersee Co. 20 OLD COLONY AVENUE BOSTON, MA, U.S.A., 02127				DATE BLUEPRINTED
				A	PUT ON CAD ECN 26129	3/5/96	EB	TOLERANCES DECIMAL ±0.10 ANGLE ±	SW, TOGGLE SPST				54110
					ISSUED	11/2/81	RJF						

Revision Control Record

Rev.	Description of Change	ECN No.	Date
B	ADD LOGO & VOLT IMPRINT	07303	08/20/07



ON1	RED
OFF	WHITE
ON2	WHITE
TOGGLE POS.	PILOT LT "ON" TOGGLE COLOR



NOTES:

- SILVER CONTACTS
- 25 AMPS @ 12V DC LAMP LOAD
- INDEPENDENT PILOT LIGHT (12V BULB) @ 4 & 6 (SEE CHART FOR COLOR)
- NEOPRENE SEAL IN BUSHING
- ALL DIMENSIONS REFERENCE
- IMPRI NT CH LOGO & 12V

Tolerances. Unless otherwise specifically noted, the following are default tolerances:
 * 2-place Decimal Dimensions $\pm .02"$
 * 3-place Decimal Dimensions $\pm .005"$
 * Angular Dimensions ± 1.0 Deg.
 * Metric: Refer to equivalent English Dimension Tolerance
 >>> NOTE: All tolerances are Non-Cumulative. <<<

Dimensional Units. All dimensions are expressed in inches except those shown in brackets (mm) are expressed in millimeters

"REF." or an Asterisk (*) = Non-Tolerance Reference Dimension, shown for clarification purposes only.

PROPRIETARY INFORMATION. This Engineering Drawing, and the information contained herein, is proprietary to Cole Hersee Company and may not be disclosed, re-produced, or in any other way transferred or communicated to any other party without the express written consent of an authorized representative of Cole Hersee Company.

DESIGN CONTROL. It is the responsibility of the individual using / referencing this drawing to assure that the noted design revision level agrees with the revision level of the Controlled Document (Master Drawing). This is a NON-CONTROLLED DOCUMENT unless otherwise specifically noted.

DO NOT SCALE - Dimensional variation may occur during printing / reproduction.

Special Characteristics:

- Critical Characteristic, relating to Safety and/or Regulatory Compliance
- Significant Characteristic relating to Process Control (SPC)
- Key Characteristic relating to Form - Fit - Function as defined by Cole Hersee Company and/or the Customer

(Note that the identification of any Characteristics as being "Special" does not alter the requirement that ALL specified dimensions & tolerances must be met.)



Cole Hersee Co.

20 Old Colony Ave., South Boston, MA, 02127
 Phn 617-268-2100 Web: www.colehersee.com

Description:

SW, TOGGLE, SPST

Drawing / Part No.:

54110-01

Current Rev.

B

Used On or Ref.:

Scale: **1:1**

Drawn By: **DPS**

Date Drawn: **10/01/81**

Responsible Engineer:

Pg. 1 of 1