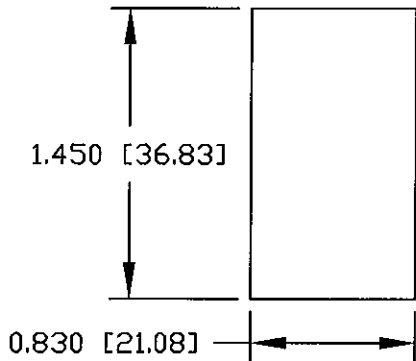


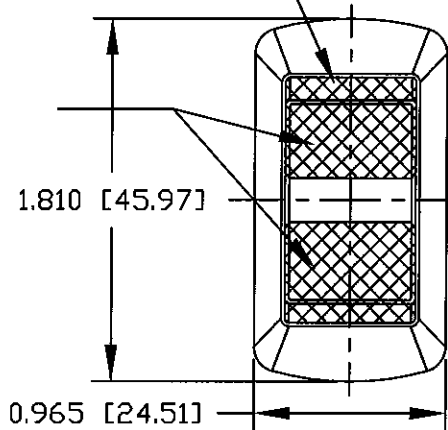
Revision Control Record

Rev.	Description of Change	ECN No.	Date
A	RELEASE DRAWINGS	04324	09/08/04
B	ADDED NEW PARTS; OLD PARTS MODIFIED	09125	05/08/09
C	ADDED NEW PARTS; OLD PARTS MODIFIED	10029	01/12/10

MOUNTING HOLE DETAIL

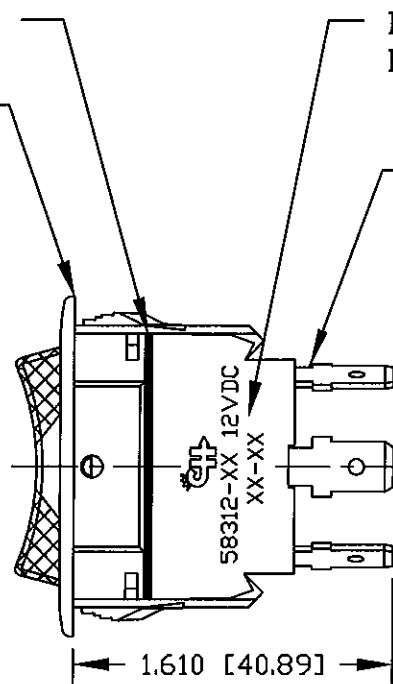


ROCKER, PLASTIC, COLOR CHARTED



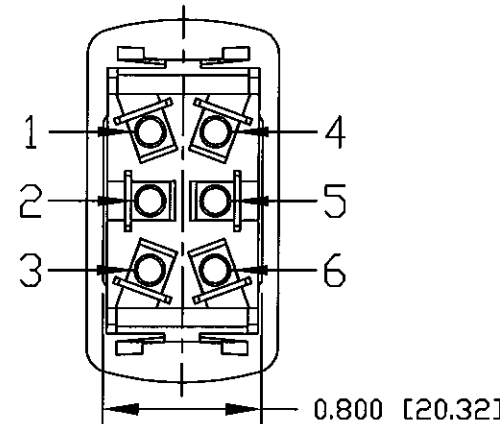
GASKET SEAL

BEZEL, PLASTIC, BLACK



INK STAMP COLE HERSEE LOGO, DATE CODE & PART NUMBER

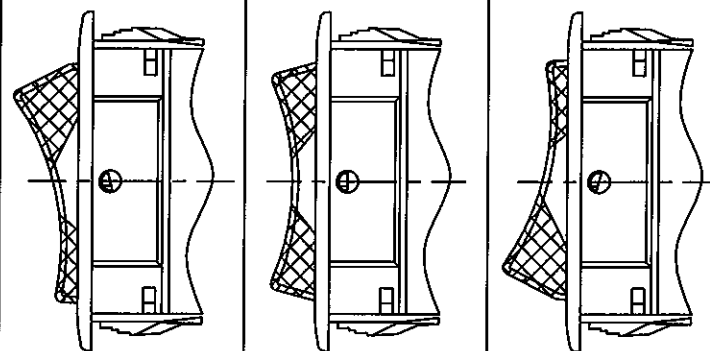
TERMINALS, MALE, BRASS, NICKEL PLATED 0.250 [6.35] WIDE



NOTES:

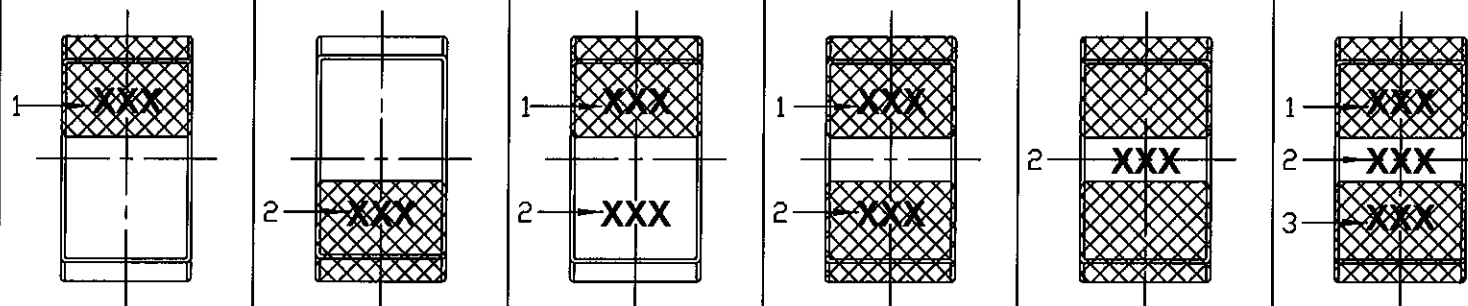
1. ALL DIMENSIONS ARE REFERENCE ONLY
 2. CONTACT RATING: 25 AMPS @ 12V DC
 3. SWITCH FITS IN 0.093 [2.36] THRU 0.187 [4.75] THICK PANEL
 4. ALL SWITCHES ARE SEALED FOR WEATHER RESISTANCE TO IP66.
 5. FOR PILOT LIGHT TYPE, SEE LAMP CHART.
- Ⓟ ALL LED LAMPS TO BE OF "SUPER BRIGHT" INTENSITY UNLESS NOTED OTHERWISE.

ROCKER POSITIONS



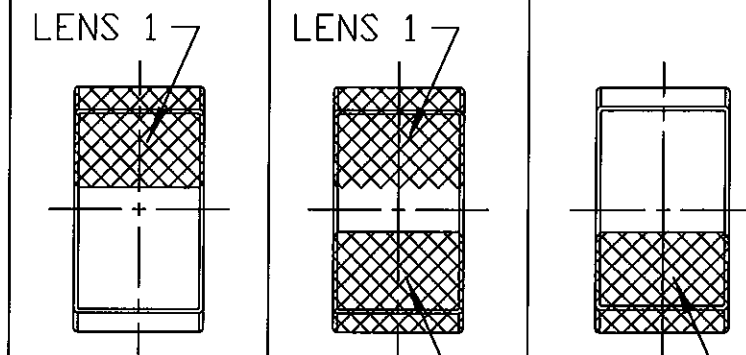
POSITION A POSITION B POSITION C

IMPRINTING LOCATION



LOCATION D LOCATION E LOCATION F LOCATION G LOCATION H LOCATION J

LENS LOCATION



LOCATION K LOCATION L LOCATION M

ROCKER COLORS
CHARTED

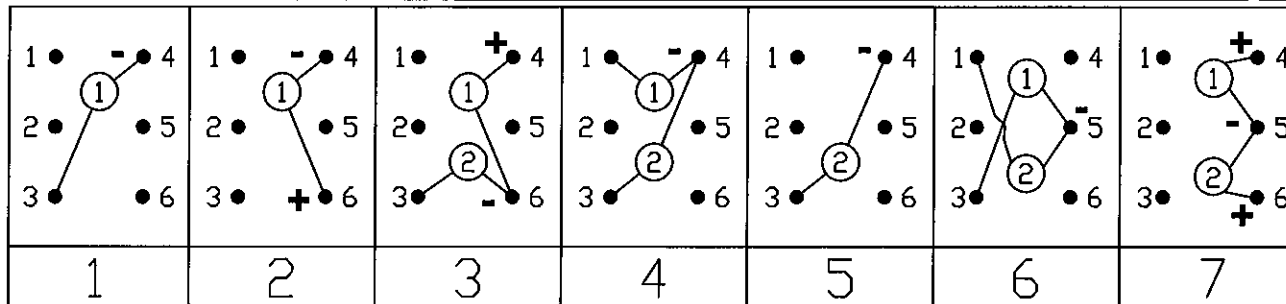
LENS COLORS

AMBER
BLUE
GREEN
RED
CLEAR

IMPRINT COLORS
WHITE

LAMP VOLTAGE

12V DC



PILOT LAMP SCHEMATIC (LAMP LEADS MAY INCLUDE EXTERNAL JUMPERS. ALL SCHEMATICS ASSUME #2 TERMINAL IS B+)

Tolerances Unless otherwise specifically noted, the following are default tolerances:
 * 2-place Decimal Dimensions +/- .02"
 * 3-place Decimal Dimensions +/- .005"
 * Angular Dimensions +/- 1.0 Deg.
 * Metric: Refer to equivalent English Dimension Tolerance
 >>> NOTE: All tolerances are Non-Cumulative. <<<

Dimensional Units All dimensions are expressed in inches except those shown in brackets (xxx) are expressed in millimeters

"REF." or an Asterisk (*) = Non-Tolerance Reference Dimension, shown for clarification purposes only.

PROPRIETARY INFORMATION This Engineering Drawing, and the information contained herein, is proprietary to Cole Hersee Company and may not be disclosed, re-produced, or in any other way transferred or communicated to any other party without the express written consent of an authorized representative of Cole Hersee Company.

DESIGN CONTROL It is the responsibility of the individual using / referencing this drawing to assure that the noted design revision level agrees with the revision level of the Controlled Document (Master Drawing). This is a NON-CONTROLLED DOCUMENT unless otherwise specifically noted.

DO NOT SCALE - Dimensional variation may occur during printing / reproduction.

Key for Special Characteristics:

- CC Critical Characteristic, relating to Safety and/or Regulatory Compliance
- X Significant Characteristic relating to Process Control (SPC)
- CD Control Dimension relating to Form - Fit - Function as defined by Cole Hersee Company and/or the Customer

(Note that the identification of any Characteristics as being "Special" does not alter the requirement that ALL specified dimensions & tolerances must be met.)



Cole Hersee Co.

20 Old Colony Ave., South Boston, MA, 02127
Phn: 617-268-2100 Web: www.colehersee.com

Description:

ROCKER SWITCH

Drawing / Part No.:

58312 CHART

Current Rev.:

C

Used On or Ref.: **EX-28005**

Scale: **1:1**

Drawn By: **G.A**

Date Drawn: **3/24/04**

Responsible Engineer: **G.Auguste**

Pg. 1 of 4

58312-R3 ⓑ	SPST	OFF	NONE	M.ON 2 & 3	BLACK	2,3,4 & 6						K	RED		12VDC L.E.D		2	
58312-R2	SPST	OFF	NONE	ON 2 & 3	BLACK	2,3,4 & 6						K	RED		12VDC L.E.D		2	
58312-G2	SPST	OFF	NONE	ON 2 & 3	BLACK	2,3,4 & 6						K	GREEN		12VDC L.E.D		2	
58312-C2	SPST	OFF	NONE	ON 2 & 3	BLACK	2,3,4 & 6						K	CLEAR		12VDC L.E.D		2	
58312-B2	SPST	OFF	NONE	ON 2 & 3	BLACK	2,3,4 & 6						K	BLUE		12VDC L.E.D		2	
58312-A2	SPST	OFF	NONE	ON 2 & 3	BLACK	2,3,4 & 6						K	AMBER		12VDC L.E.D		2	
58312-R1 ⓑ	SPDT	ON 2 & 1	NONE	ON 2 & 3	BLACK	1,2,3,4 & 6						M		RED	12VDC L.E.D		2	
58312-G1 ⓑ	SPDT	ON 2 & 1	NONE	ON 2 & 3	BLACK	1,2,3,4 & 6						M		GREEN	12VDC L.E.D		2	
58312-C1 ⓑ	SPDT	ON 2 & 1	NONE	ON 2 & 3	BLACK	1,2,3,4 & 6						M		CLEAR	12VDC L.E.D		2	
58312-B1 ⓑ	SPDT	ON 2 & 1	NONE	ON 2 & 3	BLACK	1,2,3,4 & 6						M		BLUE	12VDC L.E.D		2	
58312-A1 ⓑ	SPDT	ON 2 & 1	NONE	ON 2 & 3	BLACK	1,2,3,4 & 6						M		AMBER	12VDC L.E.D		2	
58312-R	SPST	OFF	NONE	ON 2 & 3	BLACK	2,3 & 4						K	RED		12VDC		1	
58312-G	SPST	OFF	NONE	ON 2 & 3	BLACK	2,3 & 4						K	GREEN		12VDC		1	
58312-C	SPST	OFF	NONE	ON 2 & 3	BLACK	2,3 & 4						K	CLEAR		12VDC		1	
58312-B	SPST	OFF	NONE	ON 2 & 3	BLACK	2,3 & 4						K	BLUE		12VDC		1	
58312-A	SPST	OFF	NONE	ON 2 & 3	BLACK	2,3 & 4						K	AMBER		12VDC		1	
PT NO	TYPE OF SW	POS A	POS B	POS C	ROCKER COLOR	TERMINAL LOCATION	IMPRINT #1	IMPRINT #2	IMPRINT LOCATION	IMPRINT COLOR	LENS LOCATION	LENS 1 LENS 2	LENS 1 LENS 2	LENS 1 LENS 2	LAMP VOLTAGE	LAMP SCHEM	BUS BARS	

Tolerances Unless otherwise specifically noted, the following are default tolerances:
 * 2-place Decimal Dimensions +/- .02"
 * 3-place Decimal Dimensions +/- .005"
 * Angular Dimensions +/- 1.0 Deg.
 * Metric: Refer to equivalent English Dimension Tolerance
 >>> NOTE: All tolerances are Non-Cumulative. <<<

Dimensional Units All dimensions are expressed in inches except those shown in brackets (xxx) are expressed in millimeters

"REF." or an Asterisk (*) = Non-Toleranced Reference Dimension, shown for clarification purposes only.

PROPRIETARY INFORMATION This Engineering Drawing, and the information contained herein, is proprietary to Cole Hersee Company and may not be disclosed, re-produced, or in any other way transferred or communicated to any other party without the express written consent of an authorized representative of Cole Hersee Company.

DESIGN CONTROL It is the responsibility of the individual using / referencing this drawing to assure that the noted design revision level agrees with the revision level of the Controlled Document (Master Drawing). This is a NON-CONTROLLED DOCUMENT unless otherwise specifically noted.

DO NOT SCALE - Dimensional variation may occur during printing / reproduction.

Key for Special Characteristics:

Ⓢ Critical Characteristic, relating to Safety and/or Regulatory Compliance

Ⓧ Significant Characteristic relating to Process Control (SPC)

ⓐ Control Dimension relating to Form - Fit - Function as defined by Cole Hersee Company and/or the Customer

(Note that the identification of any Characteristics as being "Special" does not alter the requirement that ALL specified dimensions & tolerances must be met.)

Cole Hersee Co.
 20 Old Colony Ave., South Boston, MA, 02127
 Phn: 617-268-2100 Web: www.colehersee.com

Description: **ROCKER SWITCH**

Drawing / Part No.: **58312 CHART**

Current Rev.: **SEE PG 1**

58312-RR2 Ⓟ	SPDT	ON 2 & 1	NONE	ON 2 & 3	BLACK	1,2,3 & 4					L	RED	RED	12VDC L.E.D	12VDC L.E.D	4	
58312-RG2 Ⓟ	SPDT	ON 2 & 1	NONE	ON 2 & 3	BLACK	1,2,3 & 4					L	RED	GREEN	12VDC L.E.D	12VDC L.E.D	4	
58312-AR2 Ⓟ	SPDT	ON 2 & 1	NONE	ON 2 & 3	BLACK	1,2,3 & 4					L	RED	GREEN	12VDC L.E.D	12VDC L.E.D	4	
58312-RG1 Ⓟ	SPDT	ON 2 & 1	OFF	ON 2 & 3	BLACK	1,2,3 & 5					L	RED	GREEN	12VDC L.E.D	12VDC L.E.D	6	YES
58312-AR1 Ⓟ	SPDT	ON 2 & 1	OFF	ON 2 & 3	BLACK	1,2,3 & 5					L	AMBER	RED	12VDC L.E.D	12VDC L.E.D	6	YES
58312-RR	SPDT	ON 2 & 1	OFF	ON 2 & 3	BLACK	1,2,3 & 4					L	RED	RED	12VDC L.E.D	12VDC L.E.D	4	
58312-RC	SPDT	ON 2 & 1	OFF	ON 2 & 3	BLACK	1,2,3 & 4					L	RED	CLEAR	12VDC L.E.D	12VDC L.E.D	4	
58312-RG	SPDT	ON 2 & 1	OFF	ON 2 & 3	BLACK	1,2,3 & 4					L	RED	GREEN	12VDC L.E.D	12VDC L.E.D	4	
58312-AR	SPDT	ON 2 & 1	OFF	ON 2 & 3	BLACK	1,2,3 & 4					L	AMBER	RED	12VDC L.E.D	12VDC L.E.D	4	
58312-AG	SPDT	ON 2 & 1	OFF	ON 2 & 3	BLACK	1,2,3 & 4					L	AMBER	GREEN	12VDC L.E.D	12VDC L.E.D	4	
58312-A5 Ⓟ	SPST	OFF	NONE	ON 2 & 3	BLACK	2,3 & 4	Ⓟ		D	WHITE	K	AMBER		12VDC L.E.D		1	
58312-R4	SPST	OFF	NONE	ON 2 & 3	BLACK	2,3 & 4					K	RED		12VDC L.E.D		1	
58312-G4	SPST	OFF	NONE	ON 2 & 3	BLACK	2,3 & 4					K	GREEN		12VDC L.E.D		1	
58312-C4	SPST	OFF	NONE	ON 2 & 3	BLACK	2,3 & 4					K	CLEAR		12VDC L.E.D		1	
58312-B4	SPST	OFF	NONE	ON 2 & 3	BLACK	2,3 & 4					K	BLUE		12VDC L.E.D		1	
58312-A4	SPST	OFF	NONE	ON 2 & 3	BLACK	2,3 & 4					K	AMBER		12VDC L.E.D		1	
PT NO	TYPE OF SW	POS A	POS B	POS C	ROCKER COLOR	TERMINAL LOCATION	IMPRINT #1	IMPRINT #2	IMPRINT LOCATION	IMPRINT COLOR	LENS LOCATION	LENS 1	LENS 2	LENS 1	LENS 2	LAMP SCHEM	BUS BARS
		ROCKER POSITION										LENS COLOR		LAMP VOLTAGE			

Tolerances Unless otherwise specifically noted, the following are default tolerances:
 * 2-place Decimal Dimensions +/- .02"
 * 3-place Decimal Dimensions +/- .005"
 * Angular Dimensions +/- 1.0 Deg.
 * Metric: Refer to equivalent English Dimension Tolerance
 >>> NOTE: All tolerances are Non-Cumulative. <<<

Dimensional Units All dimensions are expressed in inches except those shown in brackets (xxx) are expressed in millimeters

"REF." or an Asterisk (*) = Non-Toleranced Reference Dimension, shown for clarification purposes only.

Used On
or Ref.:

Scale: **1:1**

PROPRIETARY INFORMATION This Engineering Drawing, and the information contained herein, is proprietary to Cole Hersee Company and may not be disclosed, re-produced, or in any other way transferred or communicated to any other party without the express written consent of an authorized representative of Cole Hersee Company.

DESIGN CONTROL It is the responsibility of the individual using / referencing this drawing to assure that the noted design revision level agrees with the revision level of the Controlled Document (Master Drawing). This is a NON-CONTROLLED DOCUMENT unless otherwise specifically noted.

DO NOT SCALE - Dimensional variation may occur during printing / reproduction.

Drawn
By:

G.A

Date
Drawn:

3/24/04

Key for Special Characteristics:



Critical Characteristic, relating to Safety and/or Regulatory Compliance



Significant Characteristic relating to Process Control (SPC)



Control Dimension relating to Form - Fit - Function as defined by Cole Hersee Company and/or the Customer

(Note that the identification of any Characteristics as being "Special" does not alter the requirement that ALL specified dimensions & tolerances must be met.)

Responsible
Engineer:

Pg. 3 of 4



Cole Hersee Co.

20 Old Colony Ave., South Boston, MA, 02127
Phn: 617-268-2100 Web: www.colehersee.com

Description:

ROCKER SWITCH

Drawing /
Part No.:

58312 CHART

Current Rev.

SEE PG 1

58312-BR1 Ⓒ	SPDT	ON 2 & 1	OFF	ON 2 & 3	BLACK	1,2,3 & 5					L	BLUE	RED	12VDC L.E.D	12VDC L.E.D	6	YES	
58312-RG7 Ⓑ	SPDT	ON 2 & 1	OFF	ON 2 & 3	BLACK	1,2,3,4,5 & 6					L	RED	GREEN	12VDC L.E.D	12VDC L.E.D	7		
58312-RG6 Ⓑ	SPDT	ON 2 & 1	NONE	ON 2 & 3	BLACK	1,2,3,4,5 & 6					L	RED	GREEN	12VDC L.E.D	12VDC L.E.D	7		
58312-RG5 Ⓑ	SPDT	ON 2 & 1	NONE	ON 2 & 3	BLACK	1,2,3 & 5					L	RED	GREEN	12VDC L.E.D	12VDC L.E.D	6	YES	
58312-RR4 Ⓑ	SPST	OFF	NONE	ON 2 & 3	BLACK	2,3,4 & 6					L	RED	RED	12VDC L.E.D	12VDC L.E.D	3		
58312-RG4 Ⓑ	SPST	OFF	NONE	ON 2 & 3	BLACK	2,3,4 & 6					L	RED	GREEN	12VDC L.E.D	12VDC L.E.D	3		
58312-GA4 Ⓑ	SPST	OFF	NONE	ON 2 & 3	BLACK	2,3,4 & 6					L	GREEN	AMBER	12VDC L.E.D	12VDC L.E.D	3		
58312-RG3 Ⓑ	SPDT	M. ON 2 & 1	OFF	M. ON 2 & 3	BLACK	1,2,3,4,5 & 6					L	RED	GREEN	12VDC L.E.D	12VDC L.E.D	7		
PT NO	TYPE OF SW	POS A	POS B	POS C	ROCKER COLOR	TERMINAL LOCATION	IMPRINT #1	IMPRINT #2	IMPRINT LOCATION	IMPRINT COLOR	LENS LOCATION	LENS 1	LENS 2	LENS 1	LENS 2	LAMP SCHEM	BUS BARS	

Tolerances Unless otherwise specifically noted, the following are default tolerances;
 * 2-place Decimal Dimensions +/- .02"
 * 3-place Decimal Dimensions +/- .005"
 * Angular Dimensions +/- 1.0 Deg.
 * Metric: Refer to equivalent English Dimension Tolerance
 >>> NOTE: All tolerances are Non-Cumulative. <<<

Dimensional Units All dimensions are expressed in inches except those shown in brackets (xxx) are expressed in millimeters

"REF." or an Asterisk (*) = Non-Toleranced Reference Dimension, shown for clarification purposes only.

PROPRIETARY INFORMATION This Engineering Drawing, and the information contained herein, is proprietary to Cole Hersee Company and may not be disclosed, re-produced, or in any other way transferred or communicated to any other party without the express written consent of an authorized representative of Cole Hersee Company.

DESIGN CONTROL It is the responsibility of the individual using / referencing this drawing to assure that the noted design revision level agrees with the revision level of the Controlled Document (Master Drawing). This is a NON-CONTROLLED DOCUMENT unless otherwise specifically noted.

DO NOT SCALE - Dimensional variation may occur during printing / reproduction.

Key for Special Characteristics:

- Critical Characteristic, relating to Safety and/or Regulatory Compliance
- Significant Characteristic relating to Process Control (SPC)
- Control Dimension relating to Form - Fit - Function as defined by Cole Hersee Company and/or the Customer

(Note that the Identification of any Characteristics as being "Special" does not alter the requirement that ALL specified dimensions & tolerances must be met.)

Cole Hersee Co.
 20 Old Colony Ave., South Boston, MA, 02127
 Phn: 617-268-2100 Web: www.colehersee.com

Description: ROCKER SWITCH

Drawing / Part No.: 58312 CHART **Current Rev. SEE PG 1**