

# 3 PUSHBUTTON SWITCHES

## General Purpose Pushbutton Switches — AC Rated

These general purpose ac rated pushbutton switches offer a wide variety of configurations, button styles and termination types. The 7835 and 7836 light duty series are ac only pushbutton switches. They feature Slow-make/Slow-break butt type contacts with a light operating pressure that is particularly suited to instrumentation applications.

### SPECIFICATIONS

#### Ratings:

See selection table.

#### Circuits:

1PST, 1PDT, 2PDT.  
Momentary action.

#### Contact Material:

**3-6A Rated**  
Movable — Silver plated copper.  
Stationary — Silver plated copper.  
**10-15A Rated**  
Movable — Silver plated copper with fine or coin silver contact face button.  
Stationary — Copper with fine or coin silver contact face button.

#### Terminal Types:

Screw Terminals — Brass.  
Furnished unassembled.  
**8448 Series**  
#6-32 x 3/16" binding head screws (Cat. No. 811-2).  
**8410/8411 Series**  
#5-40 x 3/16" (Cat. No. 811-7206).  
**8406/8440 Series**  
#5-40 x 5/32" screws (Cat. No. 11-26).  
Solder Lug — Brass silver plated.

AC RATED PUSHBUTTON SWITCHES SELECTION TABLE (BOLD FACE TYPE INDICATES ITEMS NORMALLY IN DISTRIBUTOR STOCK)

Type	Rating	Poles and Throw	Contacts	CIRCUIT NUMBER SEE PAGE 4.28	BUTTON				Typical Maximum Operating Force	Mounting or Bushing Length Dimension "A"		CATALOG NUMBER			
					Construction	Color	Button Extension Dimension "B"			mm	inches	Solder Lugs	Screw Terminals	Spade Terminals (.250")	Wire Leads ⑤
					NON-ILLUMINATED					NON-ILLUMINATED					
Flush Mounted Light Duty Momentary Contact	3/4A, 125V ac/dc 1/4A, 250V ac/dc	1 P.S.T. 1 P.S.T.	NC NC	A A	Nylon Nylon	Black Black	11.50	.453"	0.7 lbs. ② 0.7 lbs. ②	— —	Flush Flush	— —	8410K1 8406K1	— —	— —
							11.89	.468"							
Snap-In Mounted Light Duty Momentary Contact	3/4A, 125V ac/dc 1/4A, 250V ac/dc	1 P.S.T. 1 P.S.T.	NC NO	A A	Nylon Nylon	White White	9.53	.375"	— —	— —	Snap-In Snap-In	— —	— —	8423K1 ① 8424K1 ①	— —
							9.53	.375"							
One Hole Mounted Light Duty Momentary Contact	3/4A, 125V ac/dc 1/4A, 250V ac/dc	1 P.S.T. 1 P.S.T.	NC NO	A	Nylon Nylon	Black Red	6.35	.250"	1.5 lbs. ② 1.5 lbs. ②	6.35 6.35	.250" .250"	8411K5 —	— —	— —	8411K13 ①
							6.35	.250"							
		1 P.S.T. 1 P.S.T.	NC NO	A	Nylon Nylon	Black Black	10.31	.406"	1.5 lbs. ② 1.5 lbs. ②	11.89 11.89	.468" .468"	8411K8 —	8411K7 8411K12	8411K10 8411K11 ①	— —
							9.53	.375"							
	3A, 125V ac	1 P.S.T. 1 P.S.T.	NC NO	A	Nylon Nylon	Black Black	6.35	.250"	1.5 lbs. ② 1.5 lbs. ②	6.35 11.89	.250" .468"	— —	— —	8418K1 ① 8418K12 ①	— —
							10.31	.406"							
	5A, 12V dc ①④ 3A, 125V ac	1 P.S.T.	NO	A	Metal	—	7.52	.296"	2.5 lbs.	11.89	.468"	8440K2	8440K3	—	—
							—	—							
	3A, 125V ac 1A, 250V ac 1/10 Hp, 125V ac	1 P.S.T.	NC	A	Metal Nylon (Snap-On) Nylon (Snap-On)	Black Red	7.92	.312"	— — — —	14.27 14.27	.562" .562"	7835K11A 7835K11C	— —	— —	7835K12A —
							—	—							
—							—								
—							—								
Metal Nylon (Snap-On) Nylon (Snap-On)	1 P.S.T.	NO	A	Metal Nylon (Snap-On) Nylon (Snap-On)	Black Red	7.92	.312"	— — — —	14.27 14.27	.562" .562"	7836K11A 7836K11C	7836K13A —	— —	7836K12A —	
						—	—								
						—	—								
						—	—								
15A, 125V ac 10A, 250V ac 1/3 Hp, 125-250V ac	1 P.S.T.	NO	A	Metal	—	13.49	.531"	0.9 lbs.	17.45 8.71	.687" .343"	— —	8444K3 8444K4	8444K2 —	— —	
						6.35	.250"								
						—	—								
15A, 125V ac, NO 10A, 125V ac, NC 10A, 250V ac, NO 5A, 250V ac, NC 1/2 Hp, 250V ac 1/4 Hp, 125V ac	1 P.D.T.	NO,NC	B	Metal Bakelite	— Black	13.49	.531"	2.0 lbs.	17.45 17.45	.687" .687"	— —	8434K2 8435K2	8434K1 8435K1	— —	
						13.49	.531"								
15A, 125V ac 10A, 250V ac	2 P.S.T.	NO	C	Metal	—	6.35	.250"	—	8.71	.343"	—	8448K2 ④	8448K1 ④	—	

① Combination spade and solder lug terminal.  
② To change operating pressure, refer to your local Eaton Sales Representative.  
③ Operating pressure cannot be changed.  
④ UL and CSA listings not applicable.  
⑤ Standard length is 152.40mm (6"), stripped 15.88mm (.625").

Wire Leads — 18 gauge, 152mm (6") long, skinned 19mm (.750"). Lengths beyond 152mm (6") are additional charge.

**Mounting Means:**

One hole mount.

Threaded Bushing — 11.90mm (.468" dia. 32 threads /inch).

Keyway — 1.73 x 0.89mm (.068 wide x .035" deep); provides anti-rotation feature.

Keyway on 7835/7836 Series is 2.03 wide x 1.01mm deep (.080 wide x .040" deep).

Hardware supplied — One hexagon locknut (Cat. No. 15-192) and one bright nickel plated knurled facenut (Cat. No. 15-124F1). 8411/8418 Series has a bright nickel plated hexagon facenut (Cat. No. 15-966-2). All hardware is furnished unassembled.

Other mounting types are flush, nest and snap-in.

**Operating Temperature Range:**

-17.8°C to +65.6°C (0°F to +150°F).

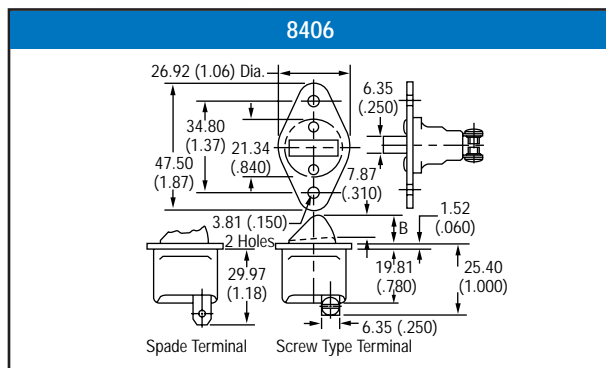
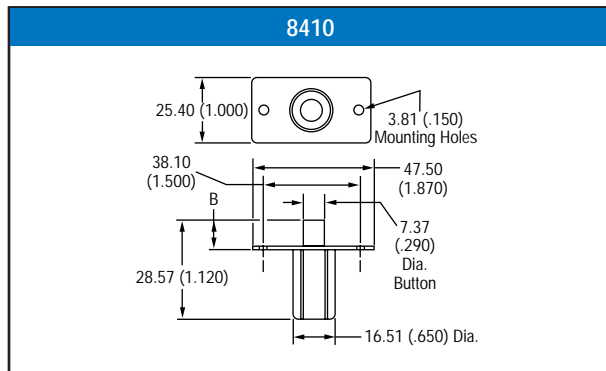
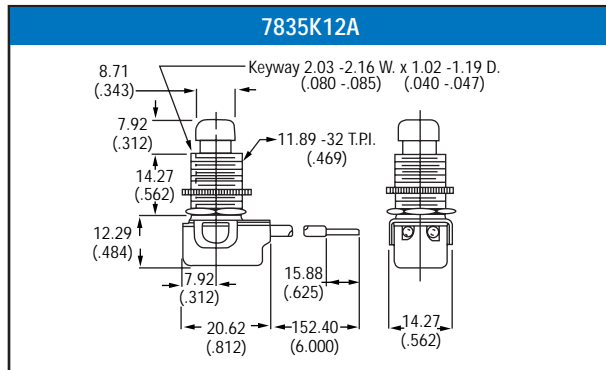
**Approvals:**

UL Recognized.  
CSA Certified.

• Except where noted.



**DIMENSIONS** APPROXIMATE IN MM (INCHES)



Dimensions continue on page 3.4.



8411K7



8423K1/8424K1



8440K3

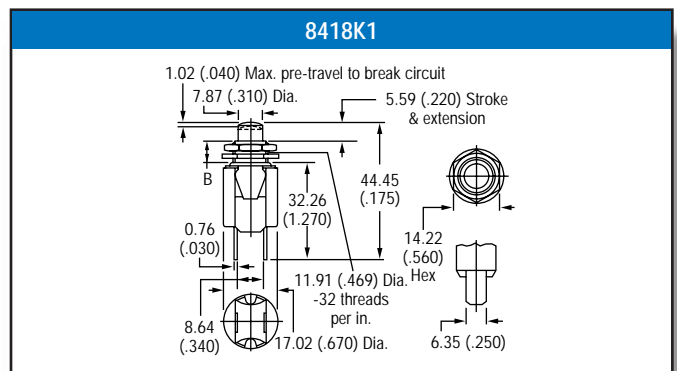
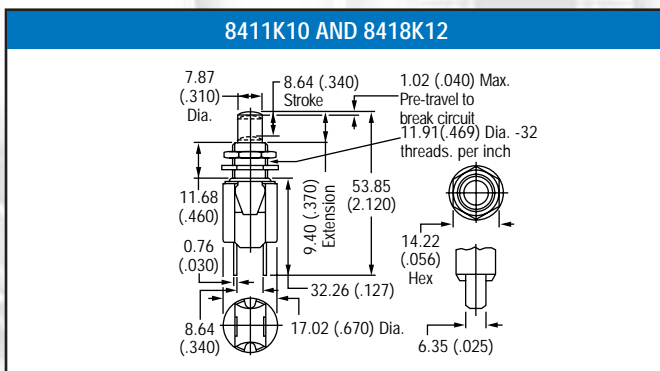
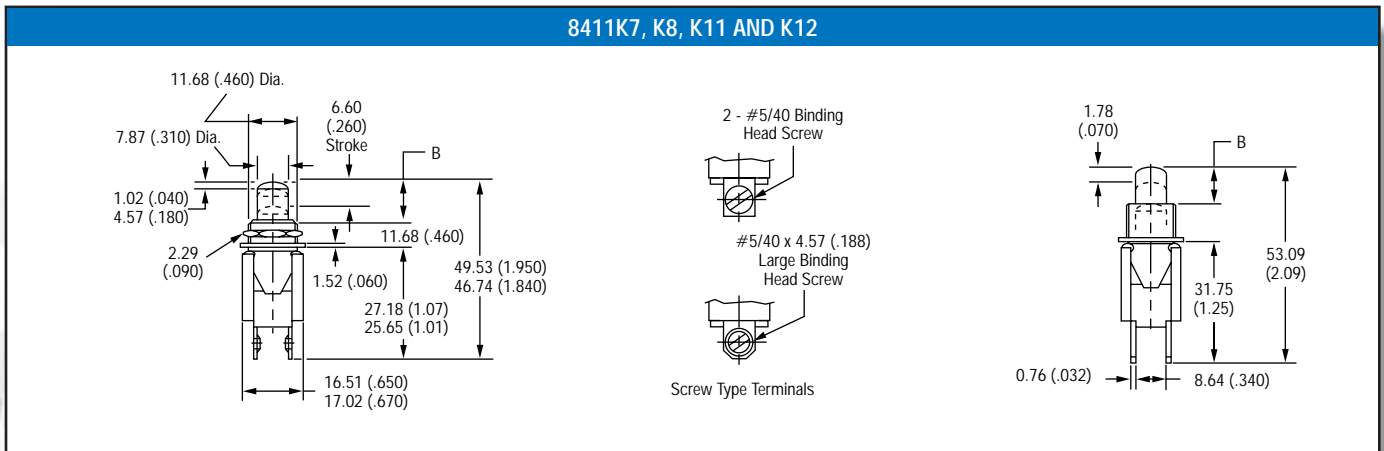
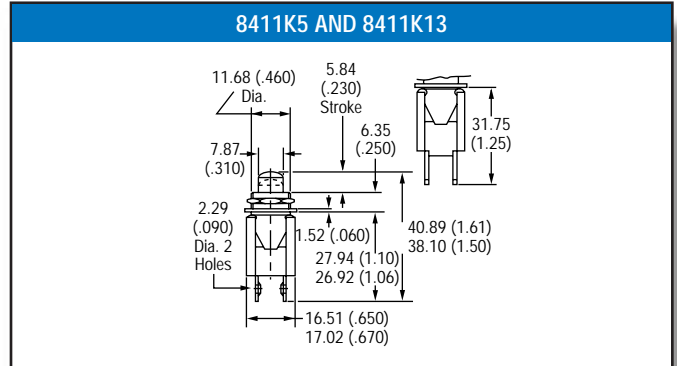
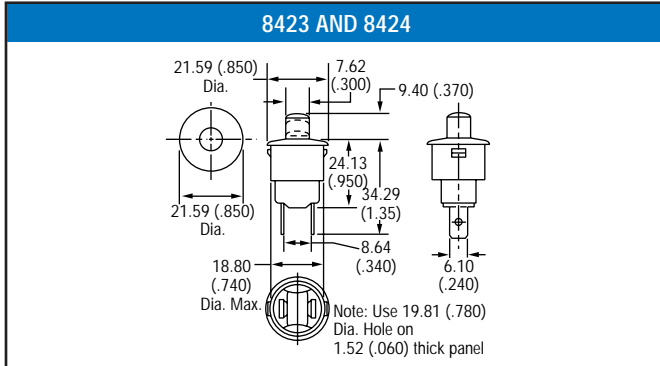


8435K2

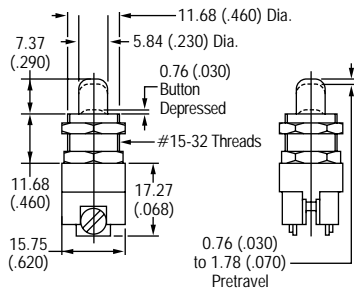
# 3 PUSHBUTTON SWITCHES

## General Purpose AC Rated Pushbutton Switches (continued)

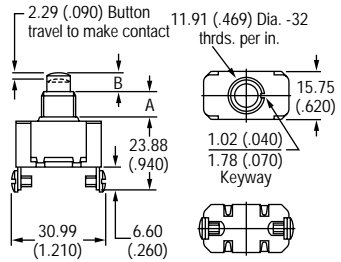
DIMENSIONS APPROXIMATE IN MM (INCHES)



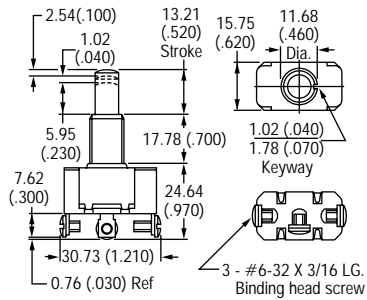
## 8440



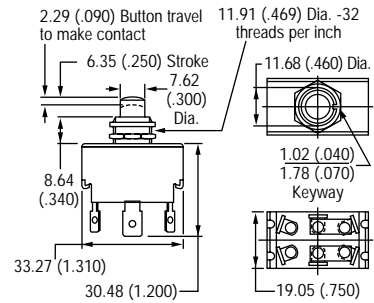
## 8442 AND 8444 (SCREW TERMINALS)



## 8434K2 AND 8435K2



## 8448K1



## 8448K2

