

MIS-31510B
CAGE CODE 13876
2 November 1988

MIS-31510B
2 November 1988

MISSILE COMMAND SPECIFICATION
CIRCUIT BREAKER, MAGNETIC, LOW-POWER,
SEALED, TRIP-FREE, THREE POLE

The complete requirements for procuring the item described herein shall consist of this document and the issue in effect of MIL-C-39019 and MIL-C-39019/5.

Description. Circuit breaker, Magnetic, Low-power, Sealed, Trip-Free, Three pole.

Configuration and dimensions. See figure 1.

Terminals. Circuit breakers shall be supplied with screw terminals located as shown in figure 1. Screw thread shall be .138-32 UNC-2A and each screw shall be supplied with an internal tooth lockwasher captivated to the screw.

Terminal strength. Terminals shall withstand a minimum of 7.0 inch-pounds of torque applied to the screw head without distortion of or damage to the terminals.

Terminal lugs. Each screw terminal shall be capable of accepting two MS1743-13, -14 or -15 terminal lugs.

Requirements. Except as otherwise specified herein, electrical and mechanical requirements for each circuit breaker shall be identical to the corresponding M39019/05 dash number referenced in Table I.

Qualification inspection. Qualification inspection in accordance with (IAM) MIL-C-39019 shall not be required unless specified in the contract or purchase order.

Quality conformance inspection. Quality conformance inspection shall consist of Group A inspection IAM MIL-C-39019. Group B inspection IAM MIL-C-39019 shall not be required unless specified in the contract or purchase order.

Marking. Identify IAM MIL-STD-130. Part number shall consist of this MIS and the applicable Dash Number IAM Table I.

Part number. See Table I.

Suggested source of supply.

Airpax Electronics
Cambridge Division
CAGE Code 81541
Cambridge, MD 21613
Manufacturer Part No. See Table I

Source information is for the convenience of the procuring activity. It is not to be construed as restricting qualified sources of procurement.

Last page identification. The last page of this specification is identified by an asterisk (*) immediately to the right of the last page number.

CUSTODIAN:

Army (MI)

PREPARING ACTIVITY:

U.S. Army Missile Command
Redstone Arsenal, Alabama
Rev B released IAM ERR MI-H7800,
Pages 1 thru 6, 2 November 1988

MIS-31510B
2 November 1988

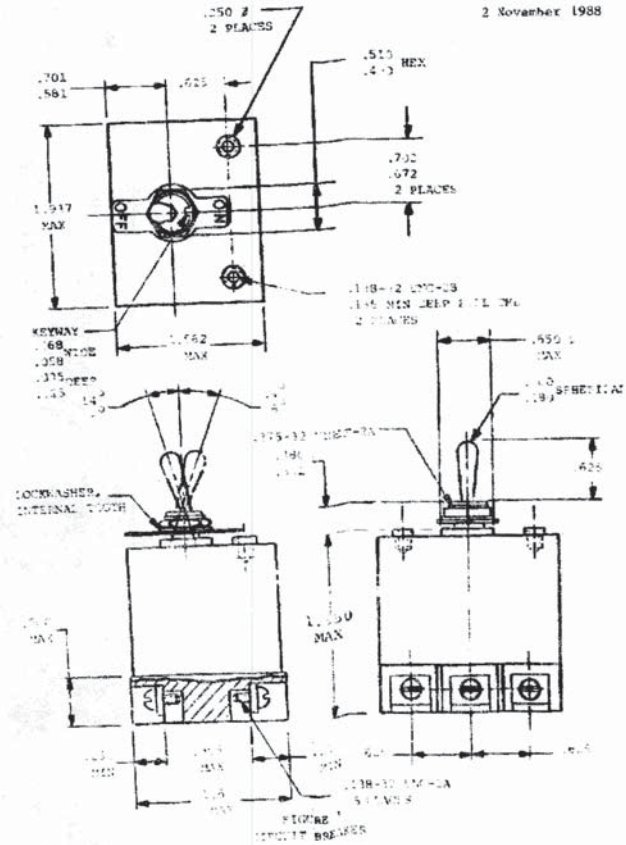
TABLE I - CHARACTERISTICS

PART NO.	DASH NO.		M39019/05 DASH NUMBER (REF)		CURRENT RATING (AMPS)	TIME DELAY	MANUFACTURER PART NO.	DASH NO.	
	STANDARD DELAY	HIGH INRUSH	STANDARD DELAY	HIGH INRUSH				STANDARD DELAY	HIGH INRUSH
MIS-31510	-200	-300	-200	-300	0.05	A	AP1167064	-200	-300
MIS-31510	-201	-301	-201	-301	0.05	B	AP1167064	-201	-301
MIS-31510	-202	---	-202	---	0.05	C	AP1167064	-202	---
MIS-31510	-203	-302	-203	-302	0.1	A	AP1167064	-203	-302
MIS-31510	-204	-303	-204	-303	0.1	B	AP1167064	-204	-303
MIS-31510	-205	---	-205	---	0.1	C	AP1167064	-205	---
MIS-31510	-206	-304	-206	-304	0.25	A	AP1167064	-206	-304
MIS-31510	-207	-305	-207	-305	0.25	B	AP1167064	-207	-305
MIS-31510	-208	---	-208	---	0.25	C	AP1167064	-208	---
MIS-31510	-209	-306	-209	-306	0.5	A	AP1167064	-209	-306
MIS-31510	-210	-307	-210	-307	0.5	B	AP1167064	-210	-307
MIS-31510	-211	---	-211	---	0.5	C	AP1167064	-211	---
MIS-31510	-212	-308	-212	-308	0.75	A	AP1167064	-212	-308
MIS-31510	-213	-309	-213	-309	0.75	B	AP1167064	-213	-309
MIS-31510	-214	---	-214	---	0.75	C	AP1167064	-214	---
MIS-31510	-215	-310	-215	-310	1.0	A	AP1167064	-215	-310
MIS-31510	-216	-311	-216	-311	1.0	B	AP1167064	-216	-311
MIS-31510	-217	---	-217	---	1.0	C	AP1167064	-217	---
MIS-31510	-218	-312	-218	-312	2.0	A	AP1167064	-218	-312
MIS-31510	-219	-313	-219	-313	2.0	B	AP1167064	-219	-313
MIS-31510	-220	---	-220	---	2.0	C	AP1167064	-220	---
MIS-31510	-221	-314	-221	-314	2.5	A	AP1167064	-221	-314
MIS-31510	-222	-315	-222	-315	2.5	B	AP1167064	-222	-315
MIS-31510	-223	---	-223	---	2.5	C	AP1167064	-223	---
MIS-31510	-224	-316	-224	-316	3.0	A	AP1167064	-224	-316
MIS-31510	-225	-317	-225	-317	3.0	B	AP1167064	-225	-317
MIS-31510	-226	---	-226	---	3.0	C	AP1167064	-226	---
MIS-31510	-227	-318	-227	-318	4.0	A	AP1167064	-227	-318
MIS-31510	-228	-319	-228	-319	4.0	B	AP1167064	-228	-319
MIS-31510	-229	---	-229	---	4.0	C	AP1167064	-229	---
MIS-31510	-230	-320	-230	-320	5.0	A	AP1167064	-230	-320
MIS-31510	-231	-321	-231	-321	5.0	B	AP1167064	-231	-321
MIS-31510	-232	---	-232	---	5.0	C	AP1167064	-232	---
MIS-31510	-233	-322	-233	-322	6.0	A	AP1167064	-233	-322
MIS-31510	-234	-323	-234	-323	6.0	B	AP1167064	-234	-323
MIS-31510	-235	---	-235	---	6.0	C	AP1167064	-235	---

MIS-315108
2 November 1988

TABLE I (CONTINUED)

PART NO.	DASH NO.		M39019/DS DASH NUMBER (RAF)		CURRENT RATING (AMPS)	TIME DELAY	MANUFACTURE PART NO.	DASH NO.	
	STANDARD DELAY	HIGH INRUSH	STANDARD DELAY	HIGH INRUSH				STANDARD DELAY	HIGH INRUSH
MIS-31510	-236	-324	-236	-324	7.0	A	AP1167064	-236	-324
MIS-31510	-237	-325	-237	-325	7.0	B	AP1167064	-237	-325
MIS-31510	-238	---	-238	---	7.0	C	AP1167064	-238	---
MIS-31510	-239	-326	-239	-326	7.5	A	AP1167064	-239	-326
MIS-31510	-240	-327	-240	-327	7.5	B	AP1167064	-240	-327
MIS-31510	-241	---	-241	---	7.5	C	AP1167064	-241	---
MIS-31510	-242	-328	-242	-328	8.0	A	AP1167064	-242	-328
MIS-31510	-243	-329	-243	-329	8.0	B	AP1167064	-243	-329
MIS-31510	-244	---	-244	---	8.0	C	AP1167064	-244	---
MIS-31510	-245	-330	-245	-330	9.0	A	AP1167064	-245	-330
MIS-31510	-246	-331	-246	-331	9.0	B	AP1167064	-246	-331
MIS-31510	-247	---	-247	---	9.0	C	AP1167064	-247	---
MIS-31510	-248	-332	-248	-332	10.0	A	AP1167064	-248	-332
MIS-31510	-249	-333	-249	-333	10.0	B	AP1167064	-249	-333
MIS-31510	-250	---	-250	---	10.0	C	AP1167064	-250	---
MIS-31510	-251	-334	-251	-334	12.5	A	AP1167064	-251	-334
MIS-31510	-252	-335	-252	-335	12.5	B	AP1167064	-252	-335
MIS-31510	-253	---	-253	---	12.5	C	AP1167064	-253	---
MIS-31510	-254	-336	-254	-336	15.0	A	AP1167064	-254	-336
MIS-31510	-255	-337	-255	-337	15.0	B	AP1167064	-255	-337
MIS-31510	-256	---	-256	---	15.0	C	AP1167064	-256	---
MIS-31510	-257	-338	-257	-338	20.0	A	AP1167064	-257	-338
MIS-31510	-258	-339	-258	-339	20.0	B	AP1167064	-258	-339
MIS-31510	-259	---	-259	---	20.0	C	AP1167064	-259	---
MIS-31510	-260	-340	-260	-340	1.25	A	AP1167064	-260	-340
MIS-31510	-261	-341	-261	-341	1.25	B	AP1167064	-261	-341
MIS-31510	-262	---	-262	---	1.25	C	AP1167064	-262	---
MIS-31510	-263	-342	-263	-342	1.50	A	AP1167064	-263	-342
MIS-31510	-264	-343	-264	-343	1.50	B	AP1167064	-264	-343
MIS-31510	-265	---	-265	---	1.50	C	AP1167064	-265	---



TOLEANCE ON MAX ± .001

FIGURE 1 CIRCUIT BREAKER

MIS-315108
2 November 1988

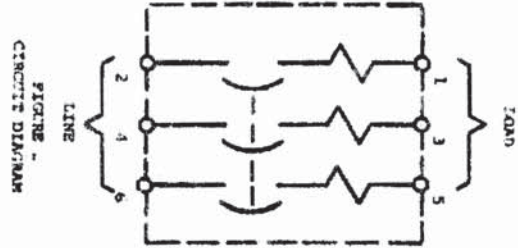


FIGURE 2
CIRCUIT DIAGRAM

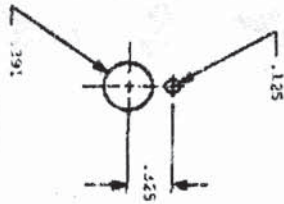


FIGURE 3
RECOMMENDED
PANEL CUT-OUT

MIS-31510B
2 November 1968