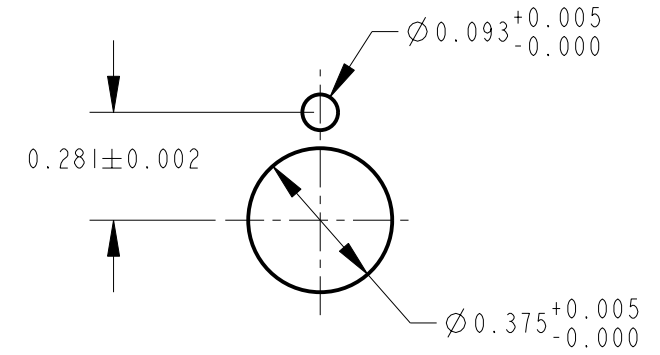
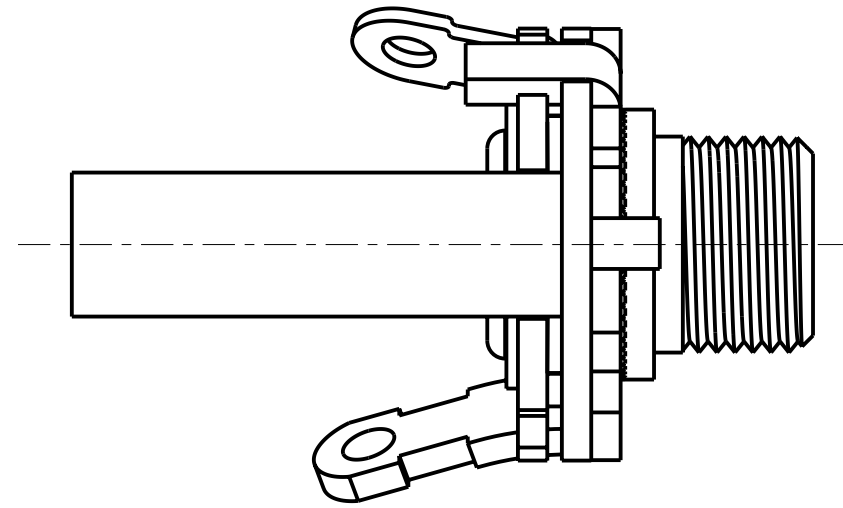
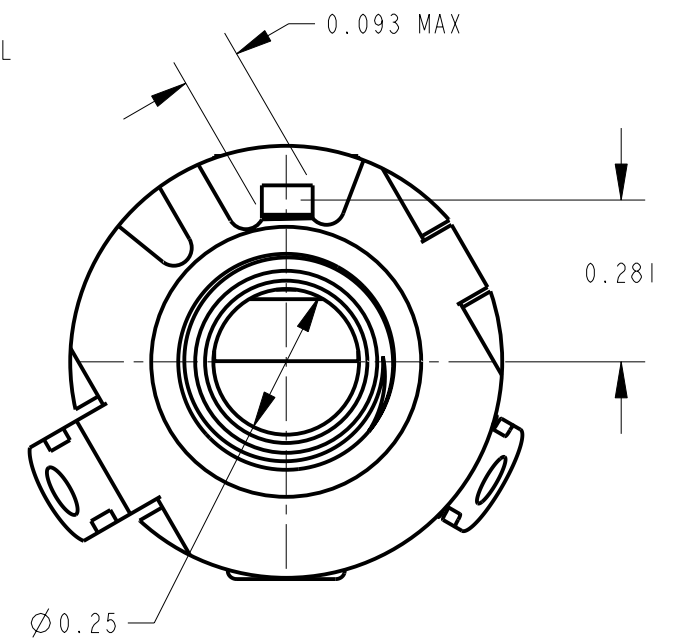
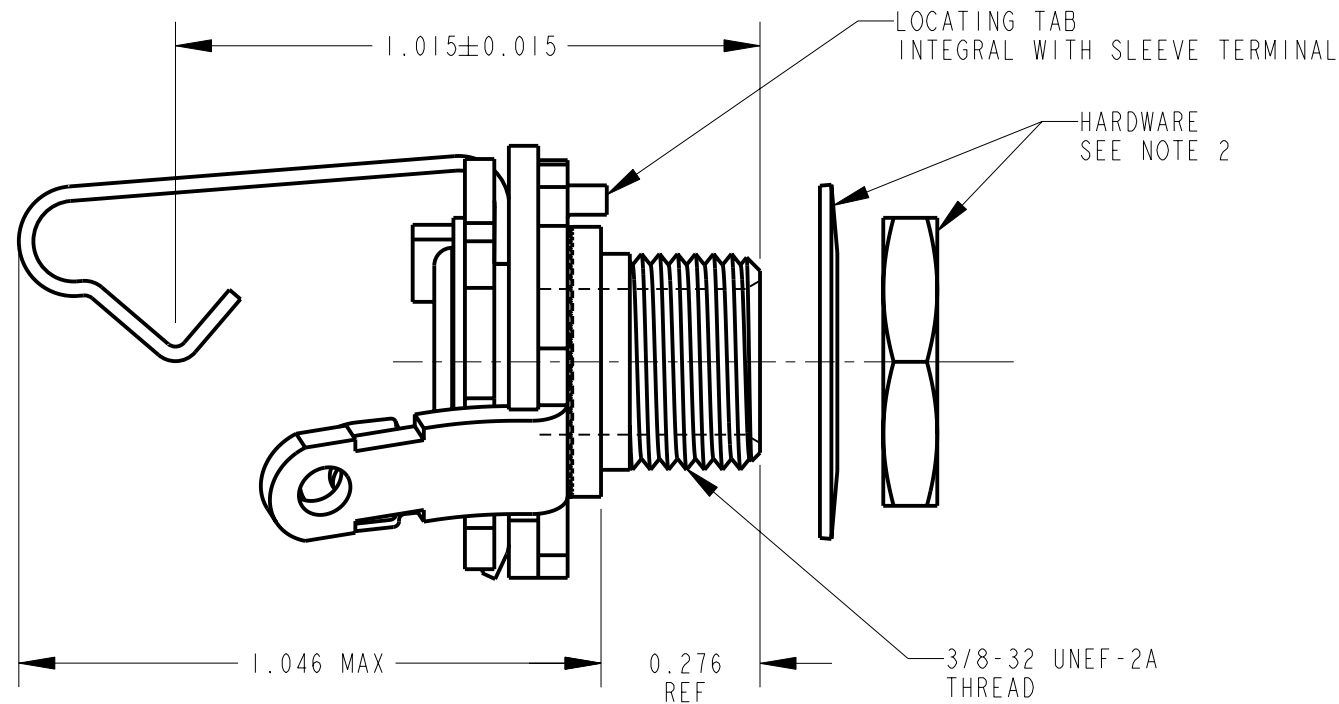
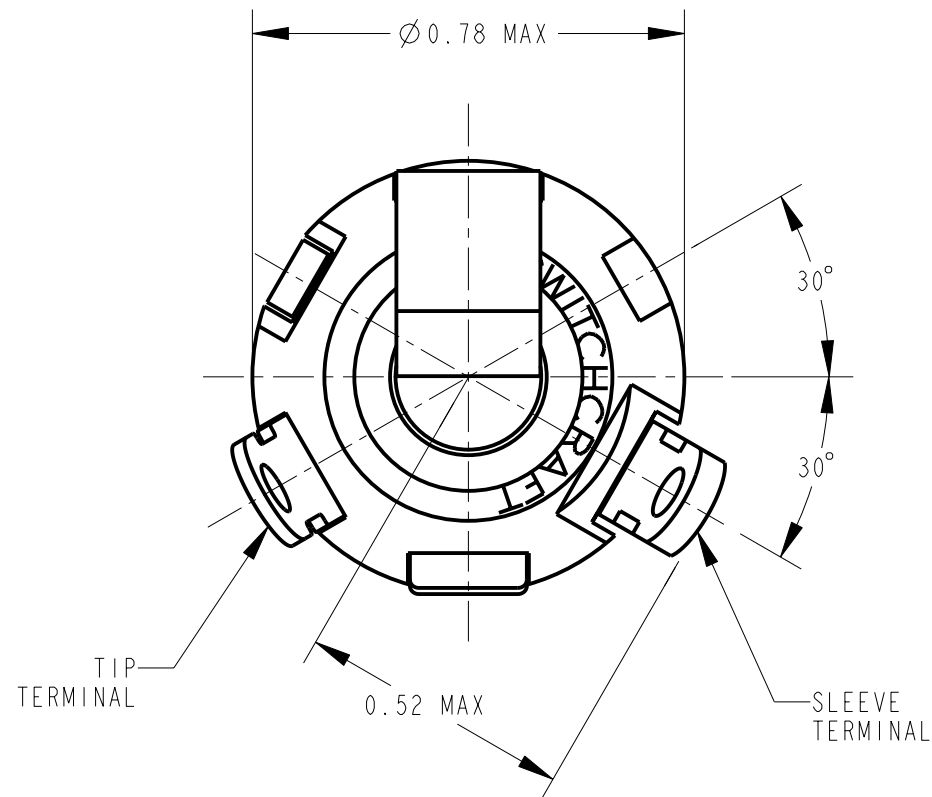


SCHEMATIC



MOUNTING DETAIL



NOTES:

- ALL PARTS ARE MECHANICALLY INTERLOCKED. INSULATION PER MIL-P-3115C TYPE PBE-P GRADE XXXP PAPER BASED PHENOLIC
- HARDWARE SHIPPED UNASSEMBLED. K180 NUT AND K216 WASHER
- MATERIALS:
 BUSHING - BRASS, NICKEL PLATED
 SLEEVE TERMINAL - BRASS, NICKEL PLATED
 TIP SPRINGS - SPECIAL COPPER ALLOY
 INSULATING WASHERS - PHENOLIC
 METAL WASHER - BRASS, NICKEL PLATED
 HARDWARE - BRASS, NICKEL PLATED
 TERMINALS ARE TIN DIPPED

CUSTOMER DRAWING

					★ STAR SYMBOL DENOTES CRITICAL DIMENSION	THIS DRAWING DESCRIBES A DESIGN CONSIDERED PROPRIETARY IN NATURE, DEVELOPED AND MANUFACTURED BY SWITCHCRAFT INC. AND IS RELEASED ON A CONFIDENTIAL BASIS FOR IDENTIFICATION PURPOSES ONLY.					
					UNLESS OTHERWISE SPECIFIED	SIZE	WIDTH	MULT	LBS/M	TEMPER	
					1. ALL DIMENSIONS IN INCHES - TWO PLACE DECIMALS ±0.01 - THREE PLACE DECIMALS ±0.005 - ANGLES ±1° - ALL DIA. CONCENTRIC WITHIN 0.005 T.I.R.	FINISH		MATERIAL			
					2. FEATURES ON THE SAME CENTERLINE MUST BE ALIGNED WITHIN ±0.002	SPEC No.		SPEC No.			
					3. REMOVE ALL BURRS	FIRST USED ON		SCALE 3:1			
0A	FIRST DRAWN	4/29/13	TJK	TJK	DATE DRAWN	BY	CHKD	APVD			
REV	ECO NUMBER	DATE	BY	APVD	29-Apr-13	TJK	TJK	TJK			
REVISIONS					DO NOT SCALE DRAWING					NAME	
										2 CONDUCTOR Ø0.25 LITTLE JAX	
										PART No. CIIX	
										REV 0A	