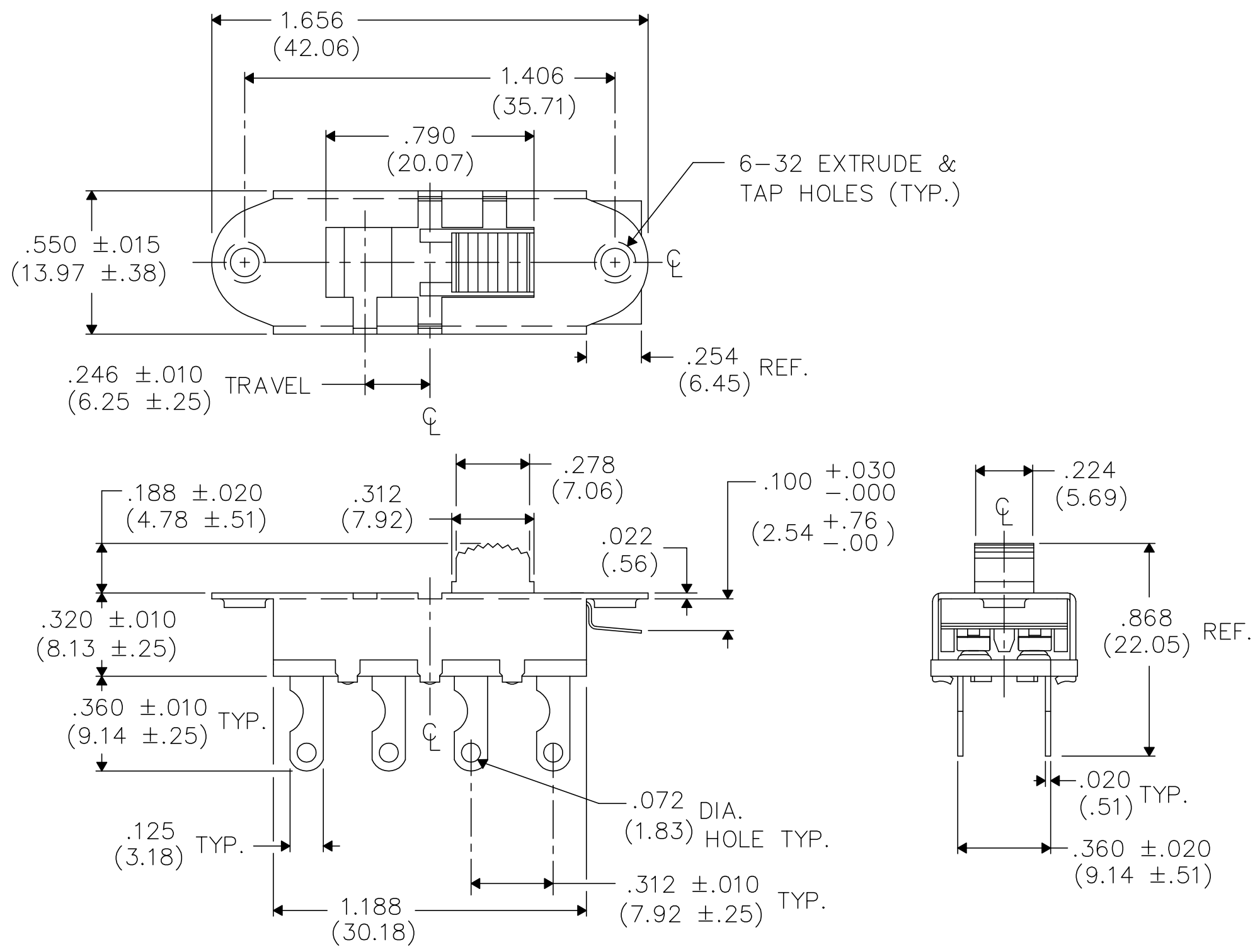


DIMENSIONS IN INCHES (MILLIMETERS)
DO NOT SCALE DRAWING

Dwg. No.
G-628L-0009



1 2 3 4 5 6 7 8 9 10

| | | |
|---------------|-----------|---|
| B-FORMAT 2002 | REVISIONS | 0 |
| | | RELEASED. DGW 3-19-2004 Mar. 24, 2004 |
| | | |
| | | |

| | | | |
|-------------------------|--|--|---------------------------------------|
| PDF File Made | CW INDUSTRIES Southampton, Pa. 18966 | | Title: SLIDE SWITCH D.P./3 POS. |
| | TOLERANCES UNLESS OTHERWISE SPECIFIED | | |
| | 2 Place Decimal ±.010 | METRIC | Division: SWITCH |
| | 3 Place Decimal ±.005 | 1 Place Dec. ±.25mm 2 Place Dec. ±.13mm | |
| Made for: CW IND. | Checked by: GG 3-23-04 | Dwg. No. G-628L-0009 | |
| Drawn by: DGW 3-19-2004 | Approval: BF 3-23-4 | | |