

NOTES: (D)

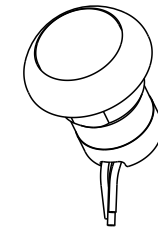
1. DRAWING TO BE INTERPRETED IN ACCORDANCE WITH THE CURRENT REVISION OF ASME Y14.
2. THIS PART/PRODUCT IS TO BE MANUFACTURED WITH THE LATEST APPLICABLE REGULATIONS OF EC DIRECTIVES FOR THE RESTRICTION OF THE USE OF HAZARDOUS SUBSTANCES IN ELECTRICAL AND ELECTRONIC EQUIPMENT (ROHS), WASTE ELECTRICAL AND ELECTRONIC EQUIPMENT (WEEE) AND REGISTRATION, EVALUATION, AUTHORIZATION AND RESTRICTION OF CHEMICALS (REACH).

3. MARKING: OTTO 21649
PRODUCT NUMBER
DATE CODE (YYWW)

4. PULL-UP RESISTOR NOT INCLUDED
WITH SWITCH.

HP7-DF_5

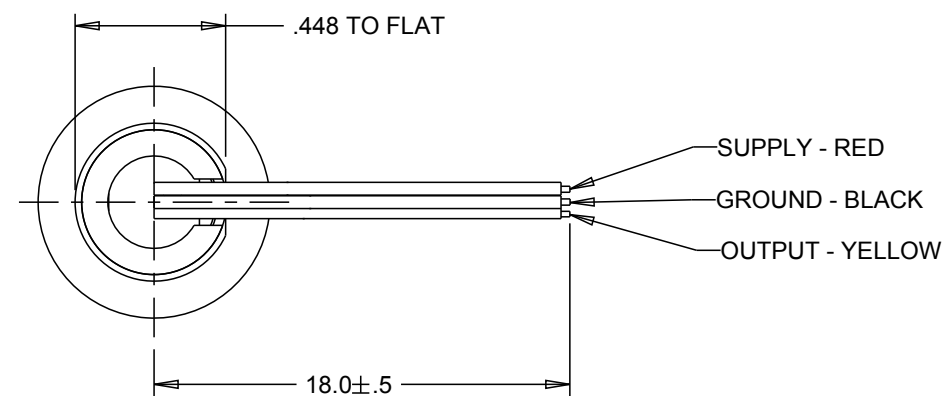
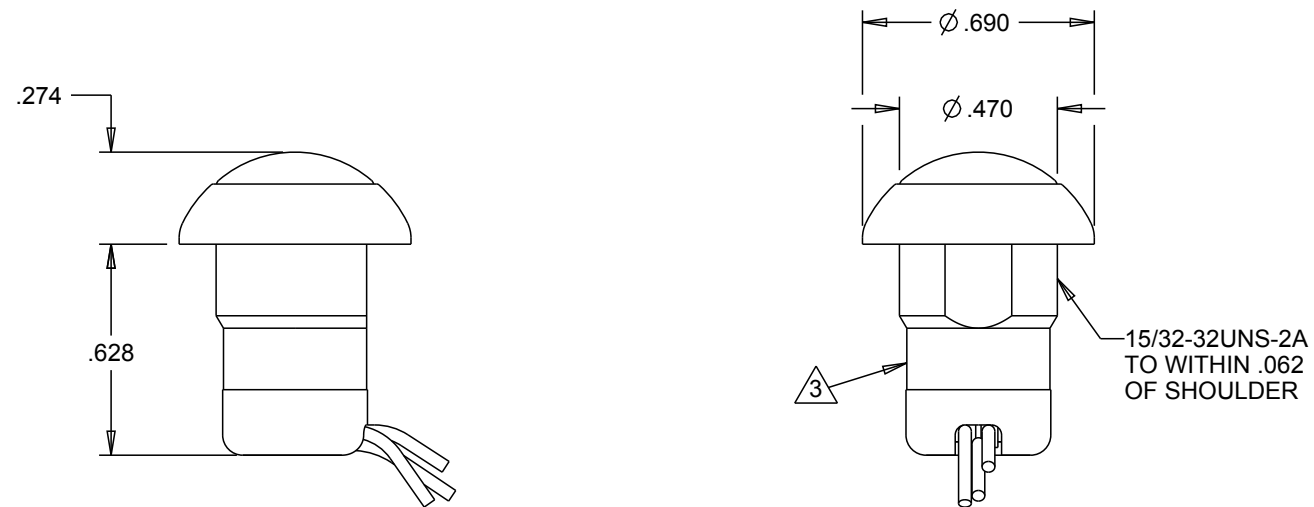
REV	OCN #	DATE	APR
A	009790	29 AUG 05	BDS
B	029822	01 DEC 05	EM
C	069117	31 JAN 13	KLW
D	072728	26 NOV 13	KLW



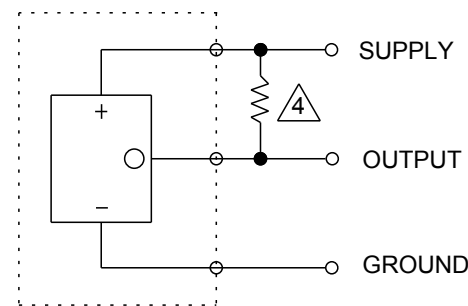
SCALE 1:1

- HP7-DF_5**
- | | | | |
|---|---------------------------------------|-------------------|---------------------|
| CIRCUIT STYLE | SEAL LEVEL | CASE COLOR | BUTTON COLOR |
| 1. NORMALLY OPEN (HIGH) MOMENTARY | 2. DUSTTIGHT & MOISTUREPROOF PER IP64 | 1. CLEAR | 1. RED |
| 2. NORMALLY OPEN (HIGH) MOMENTARY WITH DETENT | 3. WATERTIGHT PER IP68S, 1 METER | 2. BLACK | 2. BLACK |
| 3. NORMALLY LOW MOMENTARY | | | 3. ORANGE |
| 4. NORMALLY LOW MOMENTARY WITH DETENT | | | 4. YELLOW |
| | | | 5. GREEN |
| | | | 6. BLUE |
| | | | 7. VIOLET |
| | | | 8. GRAY |
| | | | 9. WHITE |

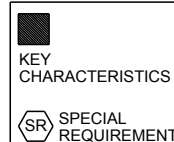
SWITCH CHARACTERISTICS			
ELECTRICAL:			
RATED AT V _{cc} = 5V @ 25° C LOAD = 1mA (4.7KΩ)	UNITS	MIN	MAX
SUPPLY VOLTAGE	VDC	3.0	24.0
REVERSE OUTPUT VOLTAGE	VDC	NA	0.5
SUPPLY CURRENT B=0, V _{cc} =5V, I _o =0	mA	NA	9.0
CONTINUOUS OUTPUT CURRENT	mA	NA	18.0
REVERSE BATTERY PROTECTION	VDC	-15.0	
SWITCH OUTPUT	SEE CIRCUIT STYLE IN CHART FOR DETAILS		
ELECTRICAL LIFE	10,000,000 CYCLES		
MECHANICAL:			
MECHANICAL LIFE	10,000,000 CYCLES		
BUTTON TRAVEL	IN	NA	.080
OVERTRAVEL	IN	.010	NA
OPERATING POINT	IN	.040±.010	
OPERATING FORCE WITHOUT DETENT	OZ	16±8	
OPERATING FORCE WITH DETENT	OZ	28±8	
ENVIRONMENTAL:			
OPERATING TEMPERATURE	°C	-40	85
STORAGE TEMPERATURE	°C	-60	105
SEAL INTEGRITY	SEE CHART FOR DETAILS		
MATERIAL:			
BUTTON	THERMOPLASTIC, SEE CHART FOR COLOR DETAIL		
CASE	ALUMINUM ALLOY, SEE CHART FOR COLOR DETAIL		
WIRES	PVC, 26 AWG		
MOUNTING HARDWARE	HEX NUT AND LOCKWASHER		



TYPICAL APPLICATION



UNLESS OTHERWISE SPECIFIED:
DIMENSIONS ARE IN INCHES.
TOLERANCES:
.XX ±.03
.XXX ±.010
ANGLES ±2°
DO NOT SCALE



THIS DOCUMENT IS THE CONFIDENTIAL PROPERTY OF OTTO ENGINEERING, INC.. IT IS NOT TO BE USED IN ANY WAY DETRIMENTAL TO THE INTERESTS OF OTTO ENGINEERING, INC..

DESCRIPTION				
HP7, HALL EFFECT SWITCH, PUSHBUTTON				
DRWN. JLW	SIZE B	FSCM NO 21649	DRAWING NO. HP7-DF_5	REV. D
CHKD. KLW				
APPD. AH				

THIRD ANGLE PROJECTION

Scale 2:1

Sheet 1 OF 1