

**NOTES:**

- DRAWING TO BE INTERPRETED IN ACCORDANCE WITH THE CURRENT REVISION OF ASME Y14.5M.
- THIS PART/PRODUCT IS TO BE MANUFACTURED WITH THE APPLICABLE REGULATIONS OF EC DIRECTIVES 2002/95/EC AND 2002/96/EC, RESTRICTION OF THE USE OF HAZARDOUS SUBSTANCES IN ELECTRICAL AND ELECTRONIC EQUIPMENT (RoHS) AND WASTE ELECTRICAL AND ELECTRONIC EQUIPMENT (WEEE).

**CHARACTERISTICS**

**ELECTRICAL CONTACTS:**

ELECT. RATINGS: SEA LEVEL		
LOAD	28VDC	115VAC
RESISTIVE	5 AMPS	5 AMPS
INDUCTIVE	3 AMPS	3 AMPS
LAMP	1 AMPS	1 AMPS
MOTOR	3 AMPS	3 AMPS
DWV	1050VRMS	

ELECTRICAL LIFE: 25,000 CYCLES

LIGHT SOURCE VOLTAGE (DC)	ACTUAL VOLTAGE NOMINAL (DC)	VOLTAGE MAXIMUM (DC)
12	13.5	14.5

**MECHANICAL:**

TOTAL TRAVEL: .180 MAX.  
 OVER TRAVEL: .012 MIN. ■  
 OPERATE FORCE: 3% LBS.  
 MECHANICAL LIFE: 200,000 CYCLES

**PHYSICAL:**

TEMPERATURE RANGE: -55°C TO +85°C  
 SEAL: WATERTIGHT PER IP68S, 1 METER  
 BUTTON: POLYCARBONATE, WHITE  
 CASE: BLACK ANODIZED ALUMINUM ALLOY  
 LED COLOR: GREEN

**MARKING:**

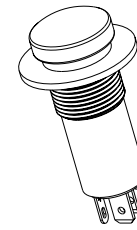
OTTO, 21649  
 LP5-E000001  
 AND DATE CODE (YYWW)

**MOUNTING HARDWARE:**

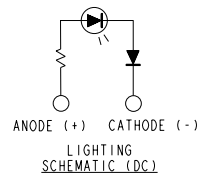
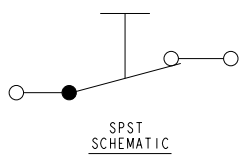
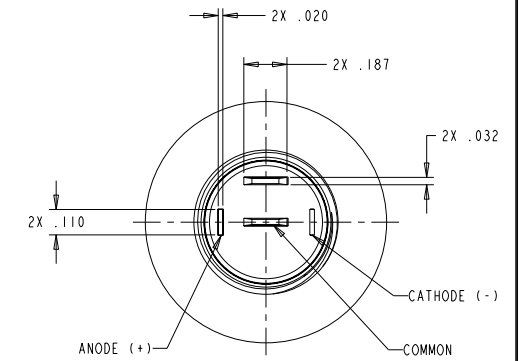
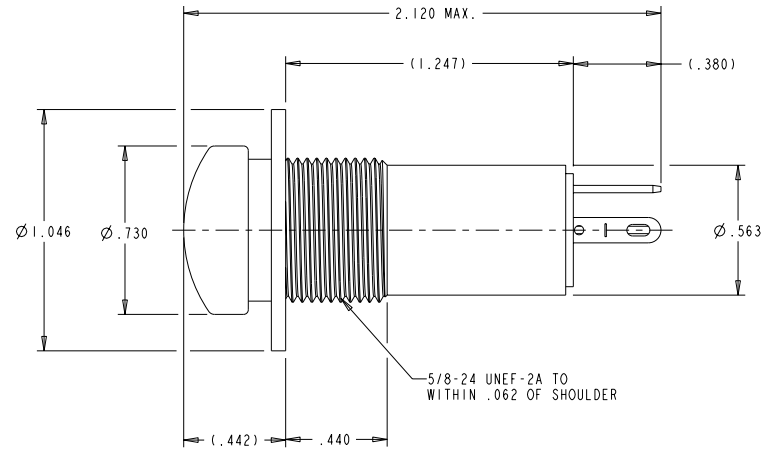
HEX NUT, LOCKWASHER,  
 AND PANEL SEAL GASKET.

LP5-E000001

REV	OCN #	DATE	APR
A	040679	19 DEC 07	REO



SCALE 1:1



■ MANUFACTURING  
 ▲ SPC

UNLESS OTHERWISE SPECIFIED: DIMENSIONS ARE IN INCHES. TOLERANCES: .XX ±.03 .XXX ±.010 ANGLES ±2° DO NOT SCALE



THIS DOCUMENT IS THE CONFIDENTIAL PROPERTY OF OTTO ENGINEERING, INC.. IT IS NOT TO BE USED IN ANY WAY DETRIMENTAL TO THE INTERESTS OF OTTO ENGINEERING, INC..

DESCRIPTION				
LP5, SWITCH, ALTERNATE ACTION RAISED DOME BUTTON				
DRWN. RDN	SIZE	FSCM NO	DRAWING NO.	REV.
CHKD. RDN	B	21649	LP5-E000001	A
APPD. RTK	THIRD ANGLE PROJECTION		Scale 1.000	Sheet 1 OF 1
WT.				