

HWB60-AL SEALED POWER DISTRIBUTION MODULE

Compact Hard-Wired PDM for 280 Style Components



Description

The HWB60-AL Hard-Wired Box is the perfect fit for accessory circuits and overflow circuits from your main PDM. For smaller vehicles, this unit is an ideal solution as a main vehicle module. It features durable construction, and IP67/IP69K rating and a compact size. The user can customize their own circuitry utilizing direct wire-to-component connections.

Features and Benefits

- AssureLatch™ yellow positive-sealing latches keep the cover securely in place while allowing for fast service.
- Accepts any mini (280 style) circuit protection component.
- Compact size allows the unit to be installed in vehicles with limited space.
- Ideal for accessory circuits, overflow circuits from main PDM, or as a main module on smaller vehicles.
- IP67/IP69K sealed units can be installed virtually anywhere on the vehicle and stands up to road splash and salt spray.
- TPAs (terminal position assurance locks) give secondary locking protection of the wire leads, which help keeps leads securely in place.
- Wires plug into the back of the unit using industry-standard Delphi Metri-Pack Series 280 tanged terminals.
- Multiple units can be dovetailed together to expand capacity. They can also be interlocked to other Littelfuse PDMs and fuse holders. (FLEC, Flex-MEGA, Flex-MIDI).
- Add-on accessory can hold a fuse puller and spare fuses.
- Tethers available to prevent loss of cover during service.
- Optional grid on inside cover available; functions as relay retention insert

Specifications Overview

Max Fuse Rating:	30A per circuit
Max Continuous Current:	250A
Number of Cavities	60
Mounting Torque:	4-6 Nm
Operating Temp:	-40 to +125 °C
Ingress Protection:	IP67/IP69K
Corrosion Test:	96 hours - salt spray test to ASTM standard
Vibration and Shock Test:	SAE J1455

Applications

- Accessory Circuits
- Overflow Circuits
- Primary on Small Vehicles

Web Resources

Download 2D print and technical resources at: littelfuse.com/HWB60-AL

Ordering Information

PART NUMBER	COVER	AssureLatch™	GASKET	TPAs
PDM71001ZXM	•	•	•	•

Complete assembly includes: cover, base, gasket & 6 TPAs
 TPA: Terminal Position Assurance secondary locks for wire terminals

Accessories and Service Parts

PART NUMBER	DESCRIPTION
868-055	Base
873-018	Cover
901-323	Gasket
883-083	TPA (6 needed per assembly)
873-680	Optional Tether

HWB60-AL SEALED POWER DISTRIBUTION MODULE

Specifications

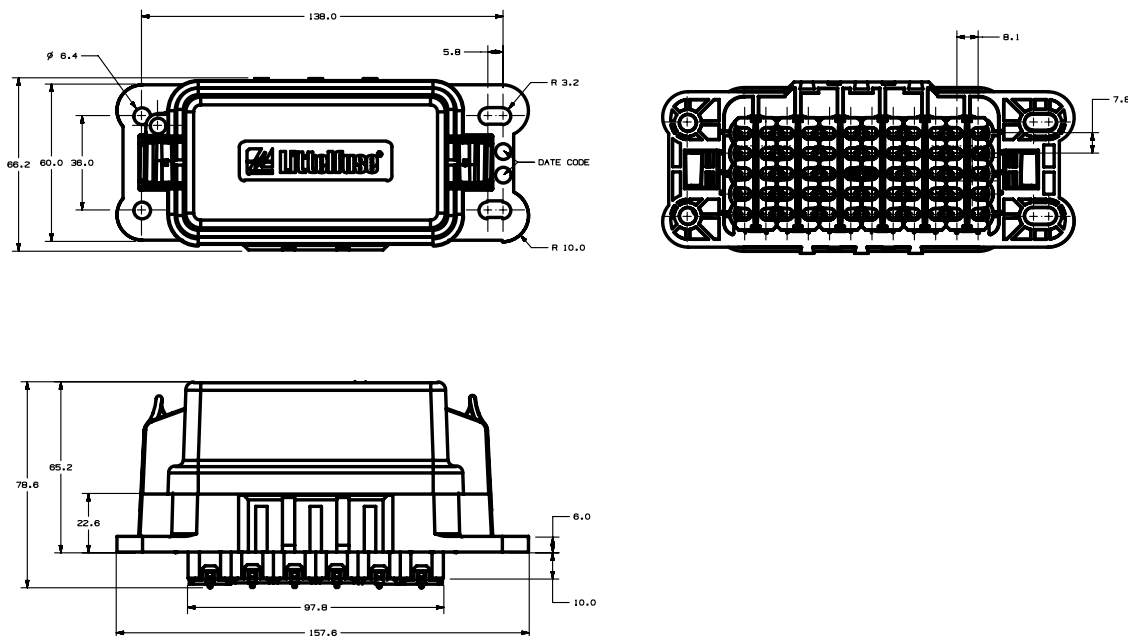
Max Fuse Rating	30A per circuit
Max Continuous Current	250A
Number of Cavities	60
Recommended Mounting	M6 bolt and lock washer
Mounting Torque	4-6 Nm
Temperature Range	-40 °C to +125 °C
Ingress Protection Rating	IP67/IP69K
Dimensions	113x52x81 mm
Labels	Consult Littelfuse for label options
Wire Sizes	0.35-5.00 mm ²
Mating Terminals & Seals	Delphi Metri-Pack 280 Sealed female (tanged) See chart below for details. Sold separately.
Accessories	Optional: Cover tether, relay retention insert, custom footprint label

Mating Terminals and Seals Compatibility

CABLE SIZE	TERMINAL	CABLE DIAMETER	CABLE SEAL	CABLE PLUG
0.50-0.35 mm ²	12084201	1.70-1.29 mm ²	12034365/15324983	12010300
1.00-0.50 mm ²	12077411	2.15-1.60 mm ²	12089444/15324985	12010300
2.00-1.00 mm ²	15363933	2.85-2.03 mm ²	12015284/15324982	12010300
3.00-2.00 mm ²	12129493	3.49-2.81 mm ²	12015359/15324980	12010300
5.0 mm ²	12077413	4.30-3.45 mm ²	12015360/15324981	12010300

Sold separately. Available from Delphi.

Dimensions in millimeters



Visit Littelfuse.com for the most up-to-date product information. Littelfuse reserves the right to make product changes, without notice. Material in this document is as accurate as known at the time of publication.