

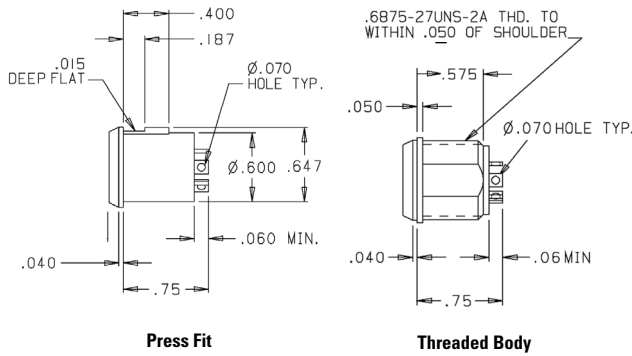
T5 MINI TRIM SWITCHES

4-WAY PLUS CENTER PUSHBUTTON MINI TRIM, COMMERCIAL & MILITARY GRADES

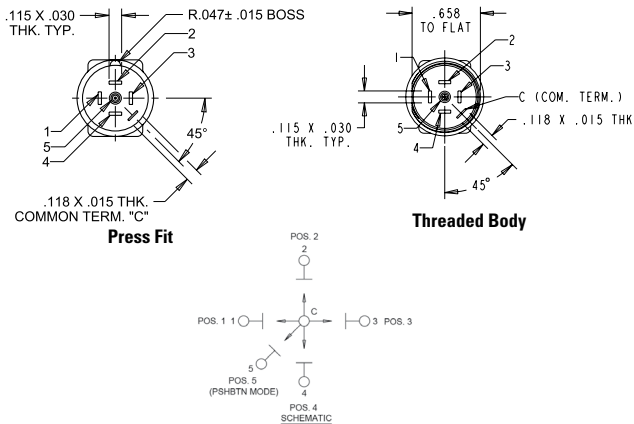
The T5 Mini Trim is a single pole, 5 throw Center off momentary contact (self return to center off) switch. Numerous button styles are available on both the Commercial and Military grade switch versions. Mini Trims are typically press fit into control grips or panel mounted using versions with an 11/16" threaded case. Mini Trims are also available with multiple sealing levels to fit all applications.



Typical Dimensions



T5



Standard Characteristics/Ratings:

ELECTRICAL RATINGS:

Load	Rating
Resistive	10mA @ 5VDC (low level)
Inductive	1A @ 28VDC
DWV	1050Vrms
Low Level	10mA Resistive @ 5VDC

Electrical Life: 100,000 cycles 1A Inductive @ 28VDC

Lever Travel: Toggle: 15° max from center OFF
Pushbutton: 0.020 inches min

Seal: IP64 or IP68S or MIL-PRF-8805 Design 3

Operating Temp Range: -55°C to +85°C

Operating Force: Toggle: 16 oz +/- 6 oz
Pushbutton: 5.0 lbs. max

Lever Pivot & Stop Strength: Switch is capable of withstanding a force of 25.0 lbs. applied to the actuating button. The button also withstands 15.0 lbs. minimum pull force.

MATERIALS:

Case: Aluminum alloy or thermoplastic

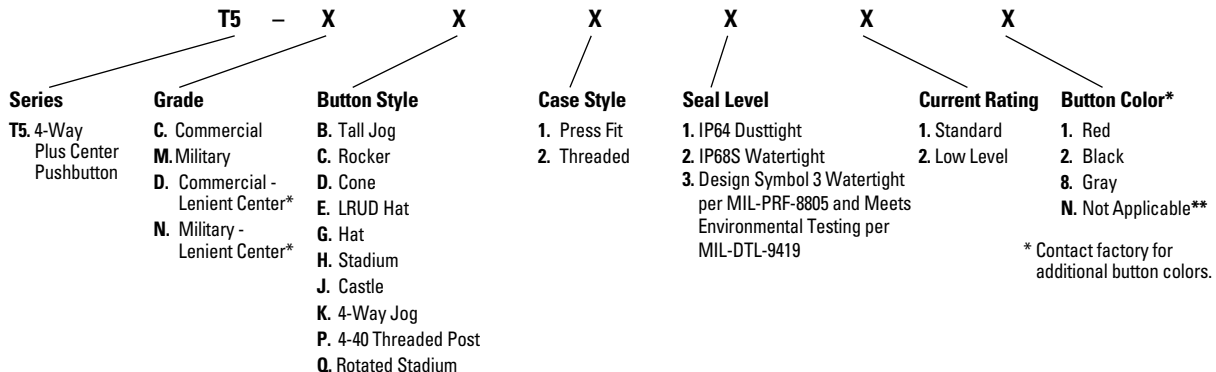
Button: Thermoplastic

Terminals: Silver over brass
Brass with gold over silver for low level

Terminal Hardware: None provided

Mounting Hardware: Hex nut, tooth lockwasher, panel seal gasket where applicable

T5 MINI TRIM PART NUMBER CODE



* Wider angle of operation for center pushbutton.
**Use when specifying Button Style P
T5 Mini Trim Button Styles are shown on page 197 and in the appendix.