

**CHARACTERISTICS**

ELECTRICAL ENDURANCE: 50,000 CYCLES MIN.

ELECTRICAL RATINGS @ 28 VDC		
LOAD	SEA LEVEL	50,000 FT.
RESISTIVE	7 AMPS	4 AMPS
INDUCTIVE	5 AMPS	2.5 AMPS
DWV	1050 VRMS	400 VRMS

MECHANICAL ENDURANCE: 50,000 CYCLES MIN.  
 ACTUATING FORCE: FIRST DETENT @ 4±1 LB  
 SECOND DETENT @ 8±1 LB

**ACTUATING TRAVEL:**

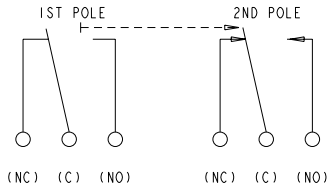
- POLE 1: PRETRAVEL - .05 MIN. FROM FULL OUT.
- OVERTRAVEL - .025 MIN. BEFORE DETENT.
- POLE 2: PRETRAVEL - .025 MIN. PAST DETENT.
- OVERTRAVEL - .015 MIN. BEFORE TOTAL TRAVEL.

**SWITCH ACTION:** POLE 1 TRANSFERS WITH PARTIAL DEPRESSING OF TRIGGER THRU FIRST DETENT  
 POLE 2 TRANSFERS BY DEPRESSING TRIGGER THRU SECOND DETENT TO FULL TRAVEL. POLE 1 REMAINS TRANSFERRED.

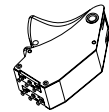
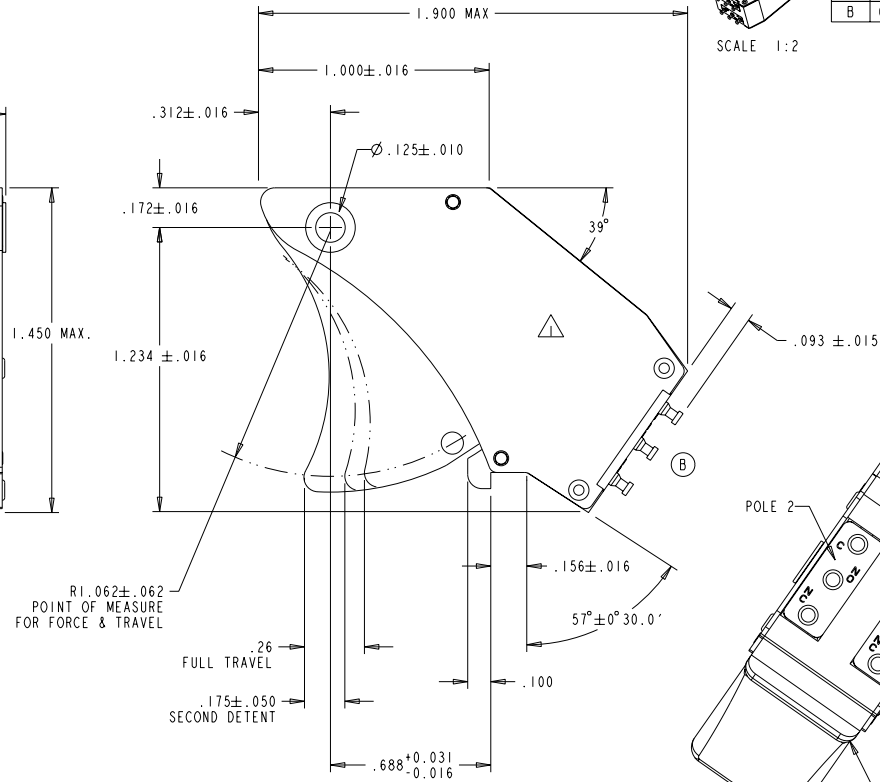
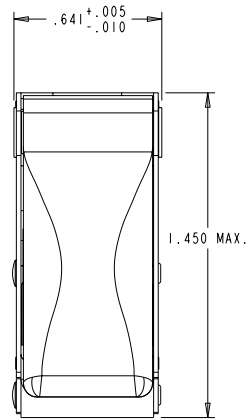
**PHYSICAL:**  
 BUTTON: RED NYLON  
 HOUSING: BLACK POLYESTER  
 SIDE COVERS: ALUMINUM BLACK ANODIZE

**ENVIRONMENTAL:**  
 OPERATING TEMPERATURE: -40° TO 71°  
 STORAGE TEMPERATURE: -55° TO 85°

△ MARKING: OTTO CONTROLS  
 21649 U2-413  
 DATE CODE (YYWW) - SERIAL NUMBER (XXX)



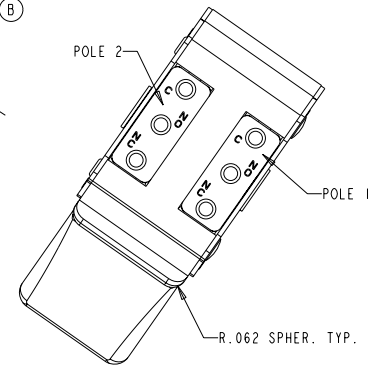
SCHMATIC DIAGRAM  
 (D.P.D.T. MOMENTARY)



SCALE 1:2

U2-413

REV	OCN #	DATE	APR
A	023211	28 JUN 04	AH
B	024069	09 SEP 04	AH



■ MANUFACTURING  
 ▲ SPC

UNLESS OTHERWISE SPECIFIED:  
 DIMENSIONS ARE IN INCHES.  
 TOLERANCES:  
 .XX ±.03  
 .XXX ±.010  
 ANGLES ±2°  
 DO NOT SCALE

**OTTO CONTROLS**  
 DIVISION OF  
 OTTO ENGINEERING INC.  
 CARPENTERSVILLE, ILLINOIS USA

THIS DOCUMENT IS THE CONFIDENTIAL PROPERTY OF OTTO ENGINEERING, INC.. IT IS NOT TO BE USED IN ANY WAY DETRIMENTAL TO THE INTERESTS OF OTTO ENGINEERING, INC..

DESCRIPTION

U2, SWITCH  
 TRIGGER

DRWN. EJS	SIZE B	FSCM NO 21649	DRAWING NO. U2-413	REV. B
CHKD. EJS				
APPD. JT				
WT.	THIRD ANGLE PROJECTION	Scale 2:1	Sheet 1 OF 1	