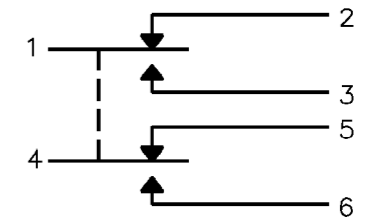


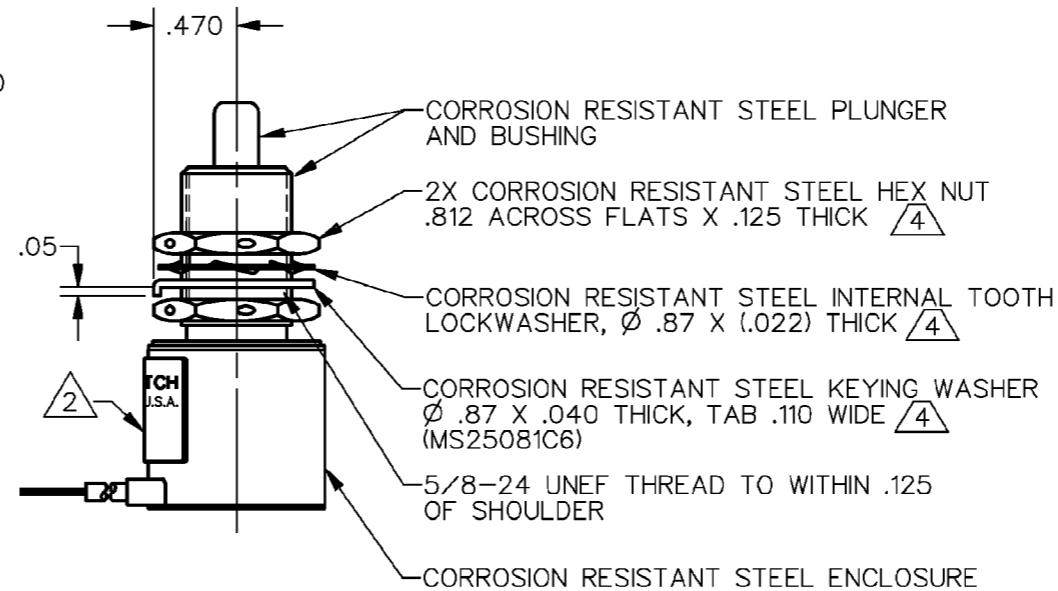
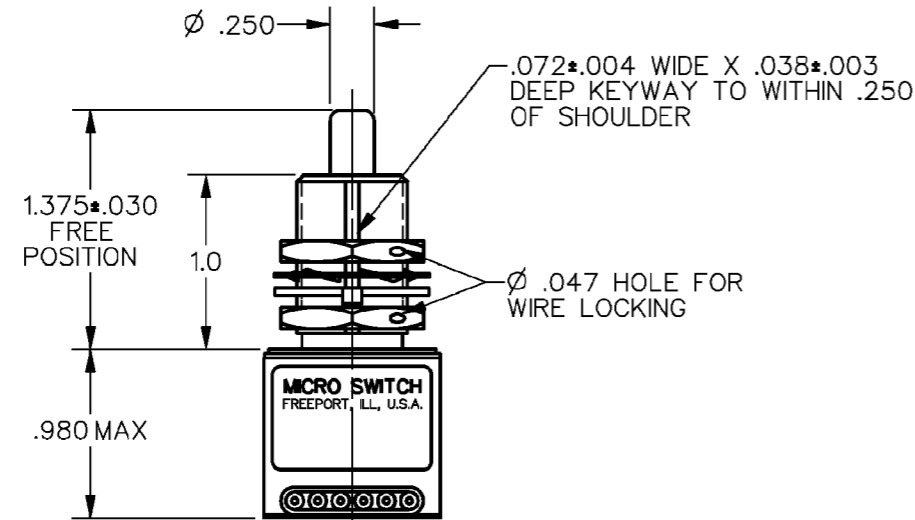
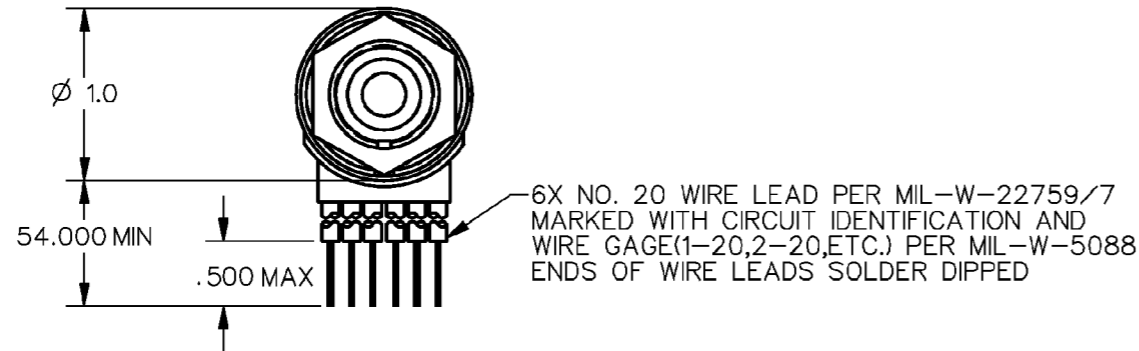
**MICRO SWITCH**  
a Honeywell Division  
FED. MFG. CODE 91929

SWITCH — ENCLOSED

CATALOG LISTING  
**1CH25**



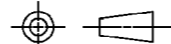
CIRCUIT DIAGRAM



CATALOG LISTING  
**1CH25**  
 ISSUE **M**  
 21  
 REVISIONS  
 A 77504-A 12 MAR 94  
 B 84035 3 JUL 97  
 C 0003692 2 MAR 04  
 D 0006564 23 JUL 04  
 DDM/CAD DRAWN  
 SAV 12 MAR 94  
 CHECK A W 29 MAR 94  
 CHECK D A W 23 JUL 04  
 CHECK AK 23 JUL 04  
 CHECK AK 23 JUL 04  
 REPLACES SR-11818

THIS DRAWING COVERS A PROPRIETARY ITEM AND IS THE PROPERTY OF MICRO SWITCH, A DIVISION OF HONEYWELL. THIS DRAWING IS NOT TO BE COPIED OR USED WITHOUT THE APPROVAL OF MICRO SWITCH

THIRD ANGLE PROJECTION



SCALE	FULL	
DO NOT SCALE PRINT		
UNLESS OTHERWISE SPECIFIED TOLERANCES ARE		
ONE PLACE	(.0)	±.030
TWO PLACE	(.00)	±.015
THREE PLACE	(.000)	±.005
ANGLES	±	
WEIGHT	8.0 OZ MAX	

CHARACTERISTICS	
OPERATING FORCE	6-12 LB
FULL OVERTRAVEL FORCE	30 LB MAX
RELEASE FORCE	4 LB MIN
PRETRAVEL	.040 MAX
DIFFERENTIAL TRAVEL	.020 MAX
OVERTRAVEL	.250 MIN

ELECTRICAL DATA		
CONTACT ARRANGEMENT		
2X SPDT		
LOAD	28 VDC	
	SEA LEVEL	50,000 FT.
RES	4	4
IND	2	2
MOTOR	4	

NOTES

- 1 - SWITCH SEALED PER MIL-PRF-8805, SYMBOL 3
- 2 - MICRO IDENTIFICATION, CATALOG LISTING, CIRCUIT DIAGRAM AND DATE CODE ARE SHOWN ON NAMEPLATE
- 3 - COINCIDENCE OF OPERATING AND RELEASING POINTS: .010 OF PLUNGER TRAVEL
- 4 - HARDWARE MAY BE PACKAGED UNASSEMBLED PER MIL-PRF-8805

ANSI Y14.5M-1982 APPLIES