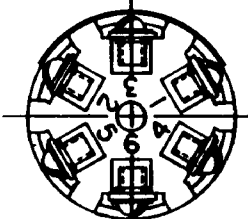
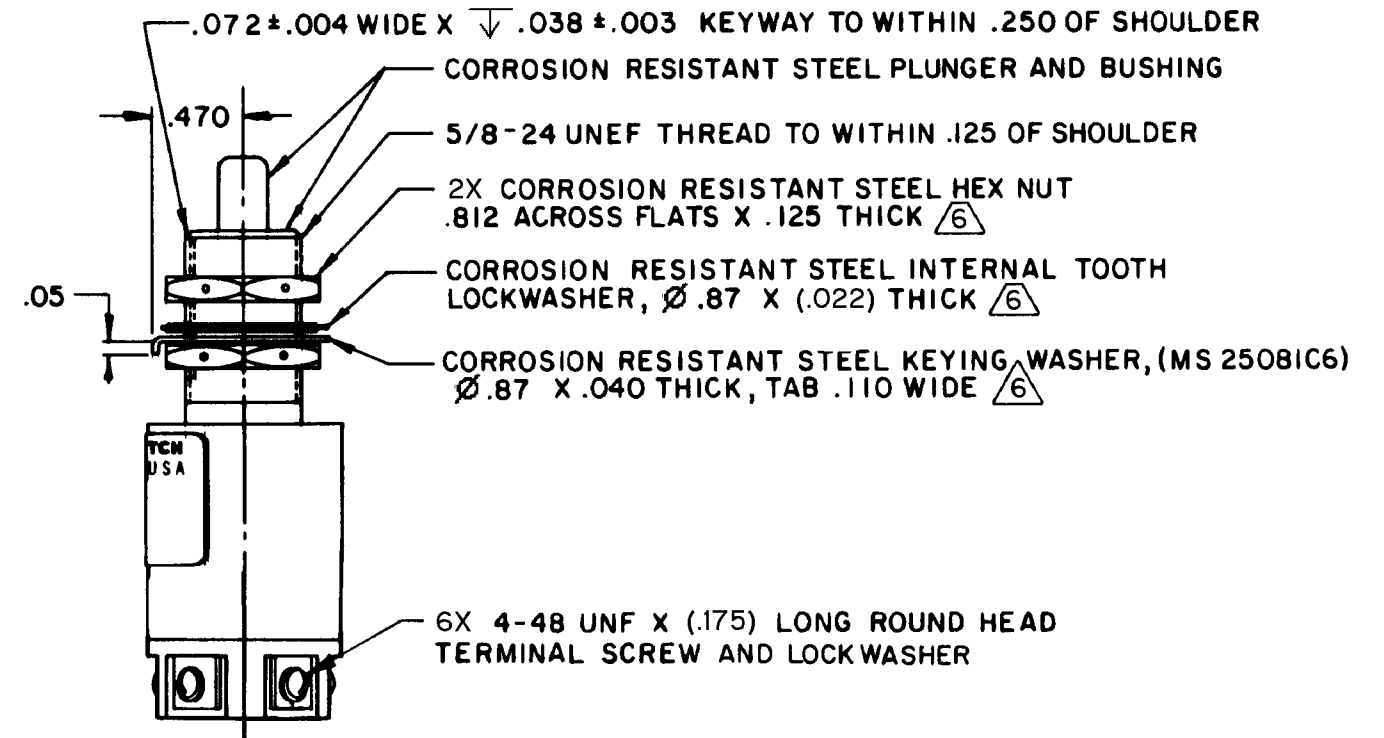
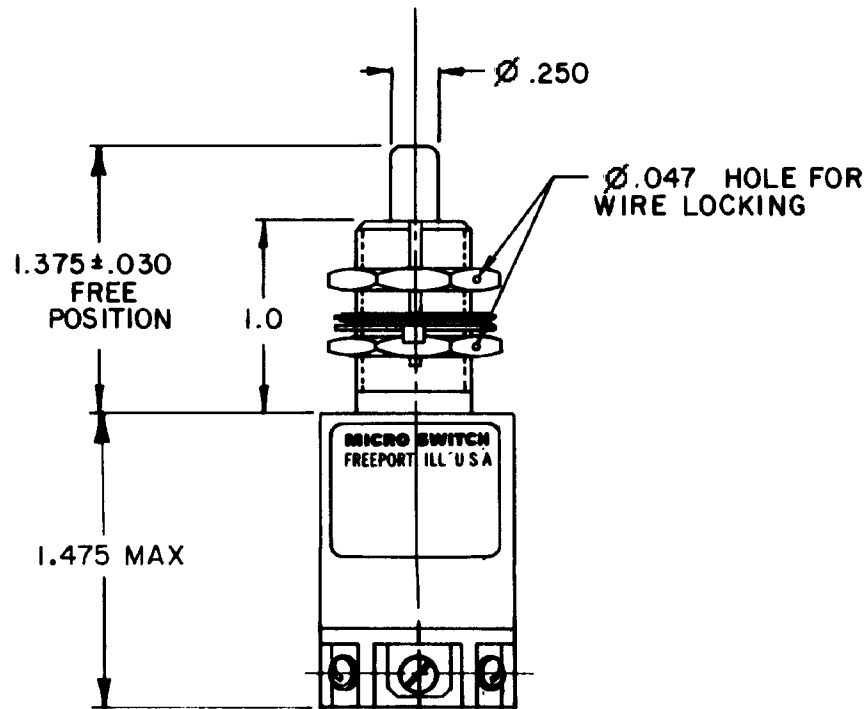
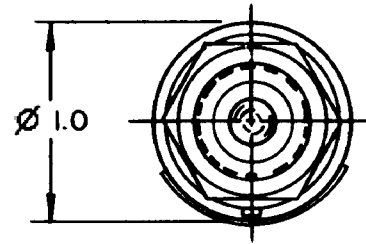
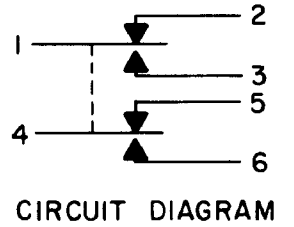


**MICRO SWITCH**  
 FREEPORT ILLINOIS U S A  
 A DIVISION OF HONEYWELL  
 FED MFG. CODE 91929

SWITCH - ENCLOSED

CATALOG LISTING  
**1EN372-S**



CATALOG LISTING  
 1EN372-S  
 PAGE 1 OF 1  
 RELEAS NO. PR-11003  
 M  
 ISSUE 6  
 CHECK  
 REVISIONS  
 A C055924 JAS 8 OCT 94  
 B C074101 DAW 10 FEB 93  
 C CO-77504-C DLY 28 JUL 94  
 D C082106  
 G J W 20 FEB 98  
 E CO-93970 SAV 14 JAN 99  
 DRAWN JAP 9 MAR 82  
 CHECK DJW 10 MAY 82  
 FORMTEK

THIS DRAWING COVERS A PROPRIETARY ITEM AND IS THE PROPERTY OF MICRO SWITCH A DIVISION OF HONEYWELL. THIS DRAWING IS NOT TO BE COPIED OR USED WITHOUT THE APPROVAL OF MICRO SWITCH

CHARACTERISTICS	
OPERATING FORCE	6-12 LB
FULL OVERTRAVEL FORCE	30 LB MAX
RELEASE FORCE	4 LB MIN
PRETRAVEL	.040 MAX
DIFFERENTIAL TRAVEL	.020 MAX
OVERTRAVEL	.250 MIN

ELECTRICAL DATA	
CONTACT ARRANGEMENT 2X SPDT (7)	
28 VDC	
LOAD	SEA LEVEL 50,000 FT.
RES	.5
IND	.5
MOTOR	
LAMP	

SCALE FULL			
DO NOT SCALE PRINT			
TOLERANCES			
APPLY TO DESIGN UNITS CONVERSIONS ARE ONLY FOR REFERENCE UNLESS NOTED TOLERANCES ARE ±			
DIM	TOL	DIM	TOL
mm	mm/in	in	mm/in
NO PLACES	X	1/04	
ONE PLACE	X,X	0.47/010	X X 0.38/03
TWO PLACES	X,XX	0.157/006	X XX 0.387/015
THREE PLACES	X,XXX		X XXX 0.137/008
DESIGN UNITS <input type="checkbox"/> SI METRIC <input checked="" type="checkbox"/> US CUSTOMARY			
THIRD ANGLE PROJECTION			
WEIGHT 3.5 OZ MAX			

NOTES

- 1 - CORROSION RESISTANT STEEL ENCLOSURE
- 2 - SWITCH SEALED PER MIL-S-8805, SYMBOL 4
- 3 - CIRCUIT DIAGRAM AND , DATE CODE, FED. MFG. CODE AND CATALOG LISTING ARE SHOWN ON NAMEPLATE
- 4 - TERMINAL IDENTIFICATION IS SHOWN ON BOTTOM OF SWITCH
- 5 - COINCIDENCE OF OPERATING AND RELEASING POINTS: .010 OF PLUNGER TRAVEL
- (6) HARDWARE MAY BE PACKAGED UNASSEMBLED PER MIL-S-8805
- (7) BASIC SWITCHES HAVE 24K SOLID GOLD OVERLAY CONTACTS

ANSI Y14.5M-1982 APPLIES