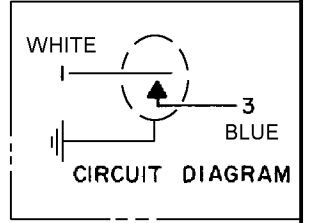
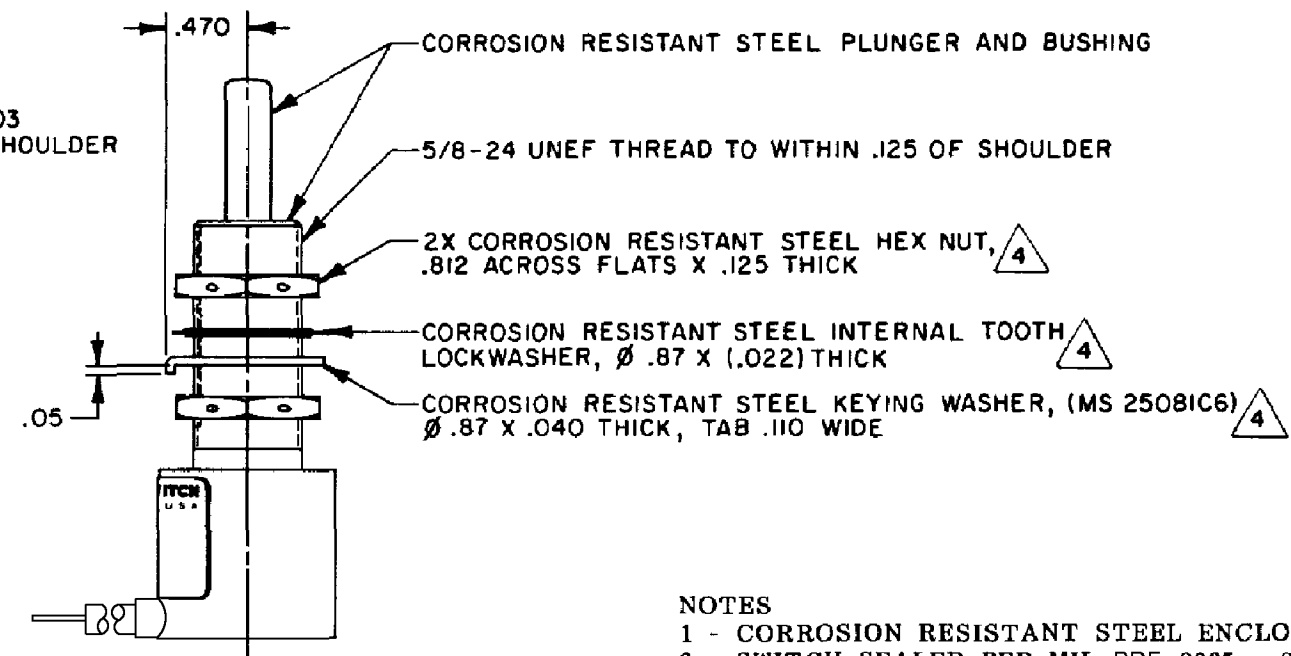
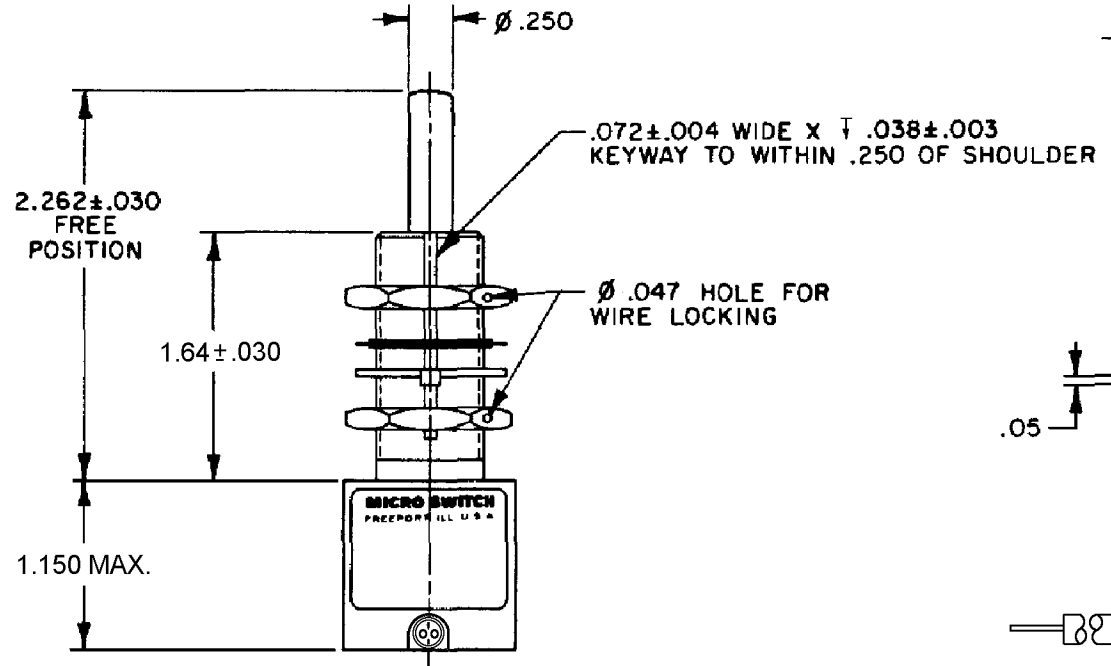
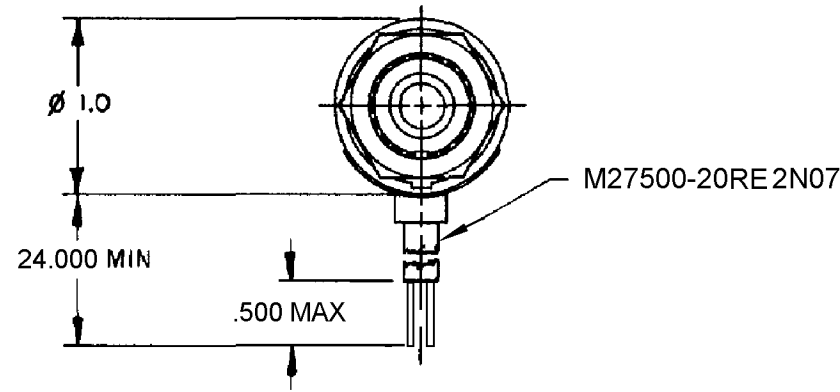


HONEYWELL
PART NUMBER
1EN581-2

REV	DOCUMENT	CHANGED BY	CHECK
B	0042993	SS 22AUG08	BLR



- NOTES
- 1 - CORROSION RESISTANT STEEL ENCLOSURE
 - 2 - SWITCH SEALED PER MIL-PRF-8805 SYMBOL 4
 - 3 - CIRCUIT DIAGRAM, DATE CODE, FED.MFG. CODE AND CAT. LISTING ARE SHOWN ON NAMEPLATE
 - 4 - HARDWARE MAY BE PACKAGED UNASSEMBLED PER MIL-PRF-8805
 - 5 - BASIC SWITCHES HAVE SOLID GOLD CONTACT MATERIAL

CHARACTERISTICS	
OPERATING FORCE	6-12 LBS
FULL OVERTRAVEL FORCE	30 LB MAX
RELEASE FORCE	4 LB MIN
PRETRAVEL	.040 MAX
DIFFERENTIAL TRAVEL	.020 MAX
OVERTRAVEL	.500 MIN

ELECTRICAL DATA		
CONTACT ARRANGEMENT S P N O		
LOAD	28 VDC	
	SEA LEVEL	50,000 FT.
RES	1	1
IND	.5	.5
MOTOR		
LAMP		

DESIGN UNITS: INCH
TOLERANCES UNLESS NOTED:

NO PLACE	X	±	0.040
ONE PLACE	.X	±	0.030
TWO PLACE	.XX	±	0.015
THREE PLACE	.XXX	±	0.005
FOUR PLACE	.XXXX	±	0.0005
ANGLES		±	2

THIRD ANGLE PROJECTION

DRAWN	SS	05MAY08
CHECK	SPK	05MAY08
THIS DRAWING COVERS A PROPRIETARY ITEM AND IS THE PROPERTY OF HONEYWELL. THIS DRAWING IS NOT TO BE COPIED OR USED WITHOUT THE PERMISSION OF HONEYWELL.		
INTERPRET PER ASME Y14.5M-1994 OTHER HONEYWELL ENGINEERING STANDARDS MAY APPLY		
RASTER		

Honeywell				
TITLE SWITCH - ENCLOSED				
SIZE	TYPE	DRAWING NAME	REV	
B	I	1EN581-2	B	
SCALE	NTS	WEIGHT: 8.0 OZ MAX.	SHEET 1 OF 1	