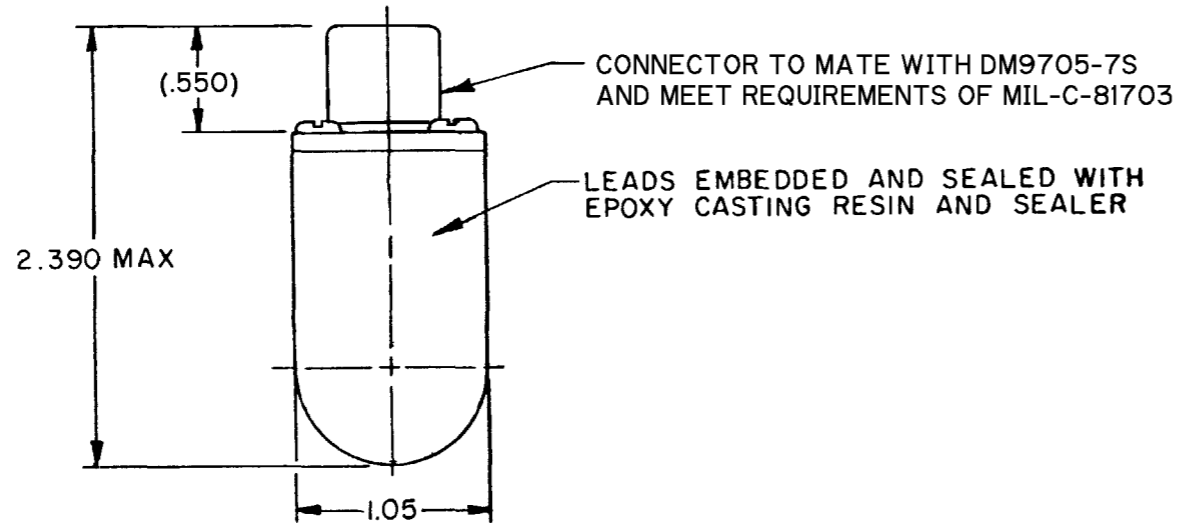
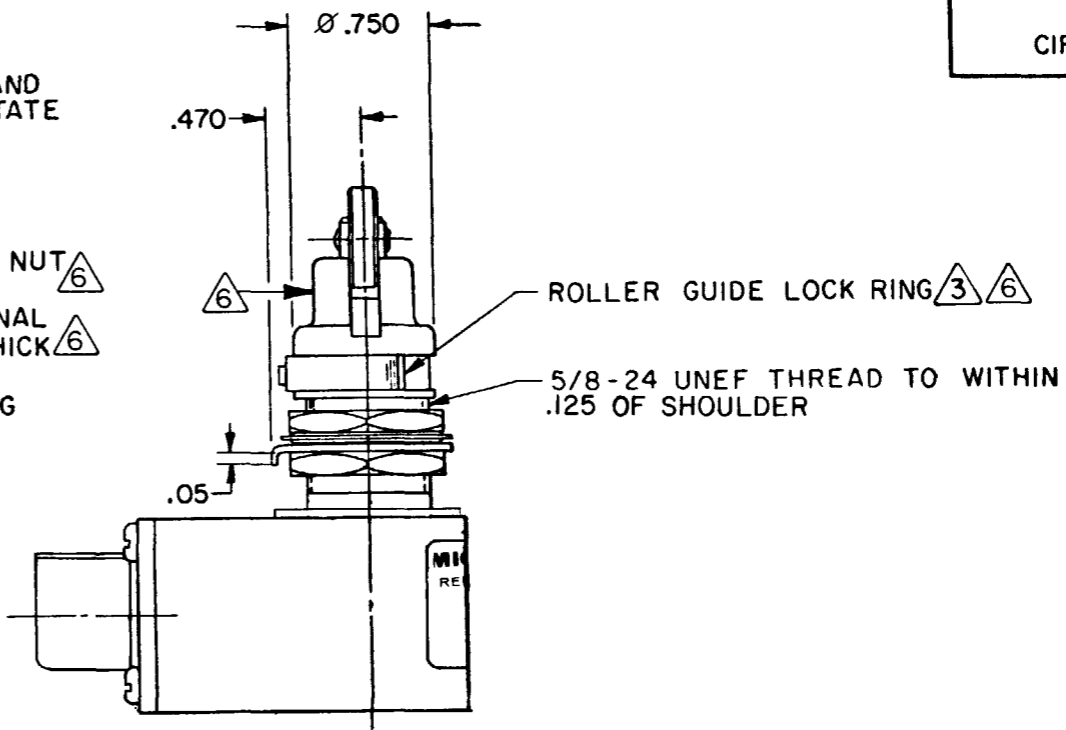
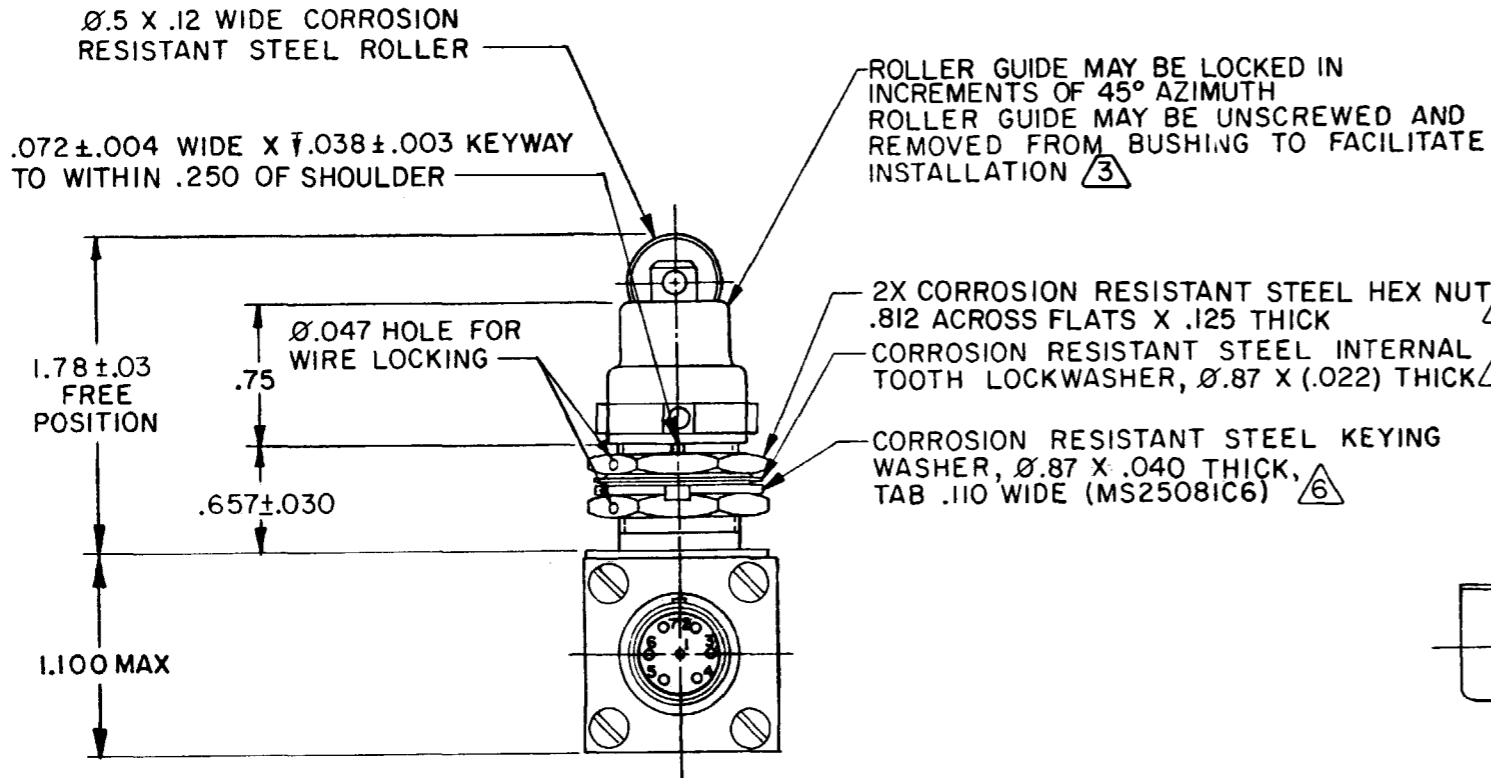


CATALOG LISTING  
 21EN31-R  
 PAGE 1 OF 1  
 ISSUE 17  
 REVISIONS  
 A CO 44351  
 WJM 18 SEP 79  
 B CO 47573 PART 4  
 RJH 8 AUG 80  
 C CO 47968  
 J A P 29 OCT 80  
 D CO 59459  
 WJK 27 AUG 86  
 E CO 82809A  
 J A K 31 JUL 96  
 F CO 84717  
 J A K 25 JUN 97  
 G CO 80689  
 J A S 24 JUN 98  
 FORMTEK  
 DRAWN WJM  
 18 SEP 79  
 CHECKED  
 18 SEP 79  
 RELEASE NO.  
 CHECK NO.



- NOTES**
- ENCLOSURE FINISHED WITH GREEN EPOXY BASED ENAMEL COLOR NO. 34151 PER FEDERAL STD 595
  - SWITCH SEALED PER MIL-S-8805 SYMBOL 4
  - TO ADJUST ROLLER DIRECTION, REMOVE ROLLER GUIDE LOCK RING, SCREW ROLLER GUIDE DOWN AS FAR AS POSSIBLE, THEN UNSCREW TO DESIRED DIRECTION. SECURE BY REPLACING ROLLER GUIDE LOCK RING
  - CIRCUIT DIAGRAM AND CATALOG LISTING ARE SHOWN ON NAME-PLATE
  - COINCIDENCE OF OPERATING AND RELEASING POINTS: .010 OF PLUNGER TRAVEL
  - HARDWARE MAY BE PACKAGED UNASSEMBLED PER MIL-S-8805

THIS DRAWING COVERS A PROPRIETARY ITEM AND IS THE PROPERTY OF MICRO SWITCH, A DIVISION OF MINNEAPOLIS-HONEYWELL REGULATOR CO. THIS DRAWING IS NOT TO BE COPIED OR USED WITHOUT THE APPROVAL OF MICRO SWITCH.

CHARACTERISTICS		ELECTRICAL DATA		SCALE FULL		
OPERATING FORCE	6-12 LB	CONTACT ARRANGEMENT		DO NOT SCALE PRINT		
FULL OVERTRAVEL FORCE	30 LB MAX	2X S P D T		UNLESS OTHERWISE NOTED		
RELEASE FORCE	4 LB MIN	LOAD	28 VDC		DIMENSIONS ARE IN INCHES	
PRETRAVEL	.040 MAX		SEA LEVEL	50,000 FT.	TOLERANCES ARE:	
DIFFERENTIAL TRAVEL	.020 MAX	RES	4	ONE PLACE (.0)	±.030	
OVERTRAVEL	.250 MIN	IND	2	TWO PLACE (.00)	±.015	
		MOTOR	4	THREE PLACE (.000)	±.008	
				ANGLES	±	
				WEIGHT 6 OZ MAX		

ANSI Y14.5M-1982 APPLIES