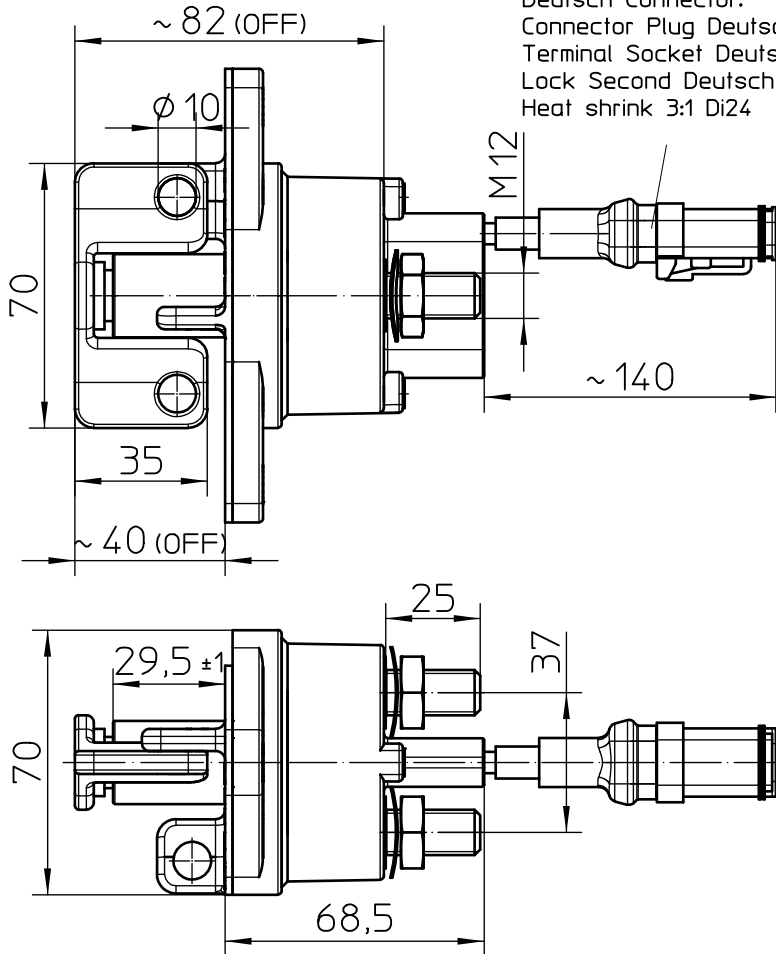
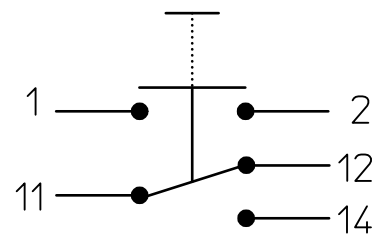


Deutsch Connector:
 Connector Plug Deutsch P/N DT06-4S-E008
 Terminal Socket Deutsch P/N 046220116141
 Lock Second Deutsch W 4S
 Heat shrink 3:1 Di24



Circuit



Technical Data:

Case Material:Cover	Vyncolit black
Base Plate	PA GF black
Switch Lever Material	PA GF red
Min.Insulation Resistance	100MOhm
Dielectric Withstanding Voltage	1050V-1min.
Max.Contact Drop During Resistive Load	150mV
Voltage	up to 32VDC
Duty Rating	500A
Overload	1500A-4min.
.....	2000A-1.5min.
.....	2500A-10sec.
Auxiliary Contact:	
Continous Current:	10A
Make and Brake:	24V L/R 5ms 10A
.....	24V L/R 20ms 6A
Sealing	IP 67/ IEC 529
Vibration	4G/ 50-2000Hz
Shock	6G/ 11ms
Weight.....	340g
Temperature Range	-40°C bis +85°C
Wire Section(at nominal Load Main Terminals) .	min. 250mm ²
Switch Lever	removeable
Max. Torque (Main Terminals).....	18-22Nm

Für diese Zeichnung behalten wir uns das Urheberrecht gemäß DIN 34 vor

	Datum	Name	Freimaßtoleranz	Maßstab
Bearb.	28.09.2009	Grind	DIN ISO 2768 cL	1:2
Gepr.	01.10.2009	Grind		



Zeichnungs-Nr.:	35-514-231-R-A5-901
Vers.Nr.:	