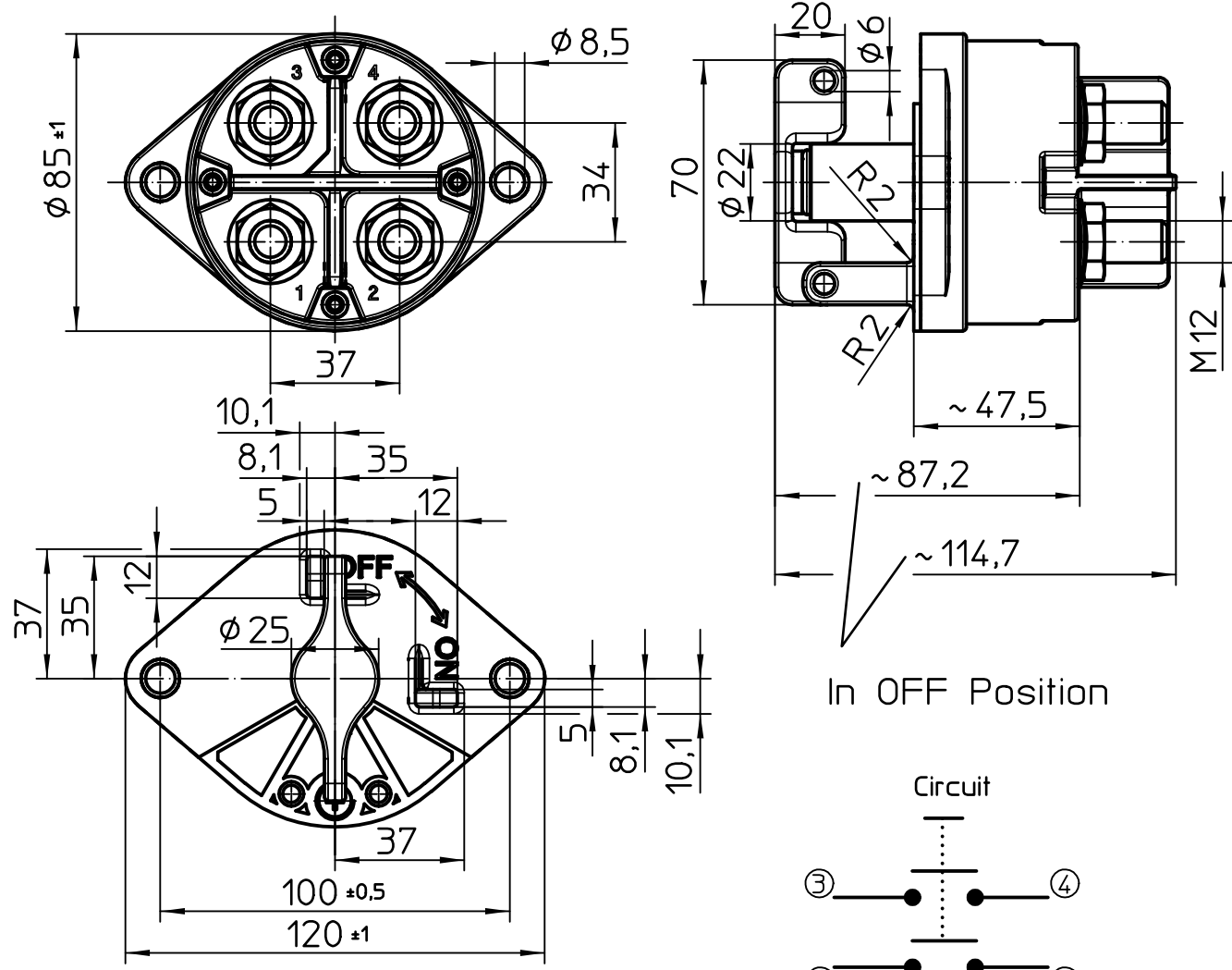
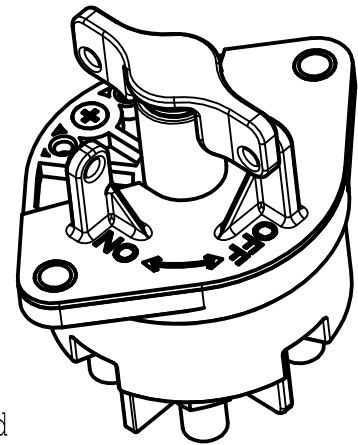


# Battery Disconnecter 2x500A



**Technical Data:**

Case Material: Cover:.....Vyncolit black  
                   Base Plate:.....PA GF black  
 Switch Lever Material:.....PA GF black  
 Min. Insulation Resistance:.....100MOhm  
 Dielectric Withstanding Voltage:.....1050V-1min  
 Max. Contact Voltage Drop:.....150mV  
 Voltage:.....up to 32VDC  
 Continuous Rating:.....2x500A  
 Overload:.....2x2000A-1.5min  
                   .....2x2500A-10sec  
 Sealing:.....IP 67/IEC 529  
 Vibration:.....10G 18-500Hz  
 Weight:.....700g / 1.5Pound  
 Temperature Range:.....-40°C to +85°C  
 Wire Section(at nominal load):.....min.250mm<sup>2</sup>  
 Key:.....not removeable,black  
 Max. Tourque (Main Contacts) .....18-22Nm



	Date	Name	mm	Scale	 Elektrotechnik - GmbH & Co KG D - 72218 Wildberg	Drawing No:
Drawn	16.01.2002	Grind		1:2		Drawing No:
Check	09.09.2004	Mielk	General Tolerances DIN ISO 2768 mK			NSN: