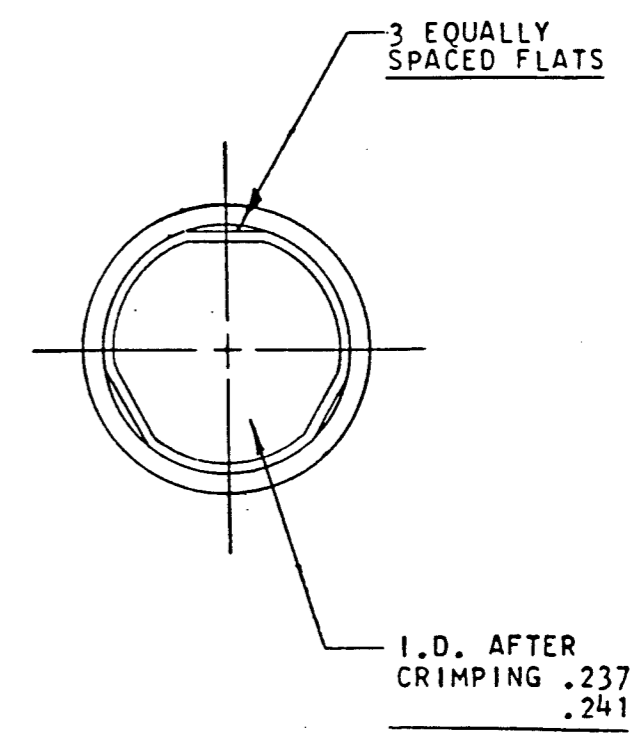
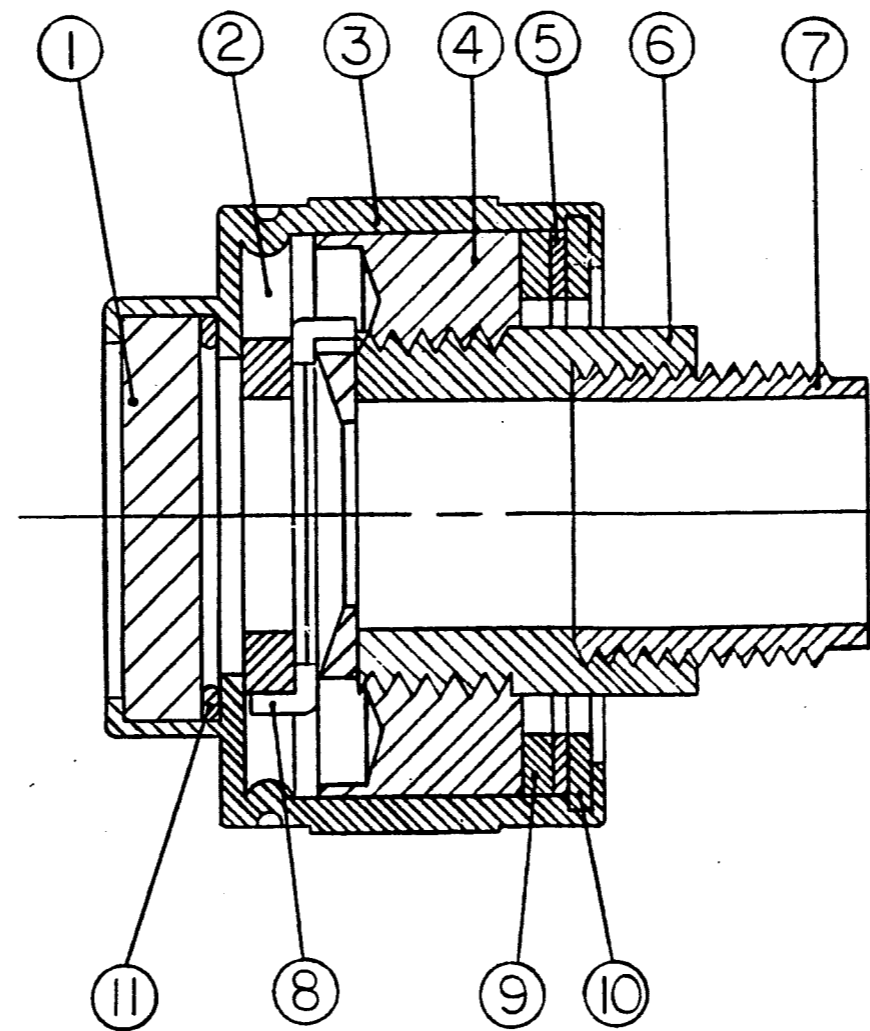


ASSEMBLY #	REVISIONS				FILTER #	FILTER COLOR	LENS HOLDER (ITEM 3)	"O" RING (ITEM 11)
	LTR	ECN NO.	DATE	APP				
851-0001	E	95040303	4-3-95	B.C.	4700-999-0010-03	NVIS GREEN A PHOTOPIC BLUE	3862-800-0851-00	7900-800-0851-00
851-0002	E	95040303	4-3-95	B.C.	4700-999-0011-03	NVIS GREEN B	3862-800-0851-00	7900-800-0851-00
851-0003	E				4700-999-0012-04	NVIS YELLOW	3862-800-0851-01	5000-800-0851-00
851-0004	E				4700-999-0010-04	NVIS GREEN A PHOTOPIC GREEN	3862-800-0851-00	7900-800-0851-00
851-0005	E	95040303	4-3-95	B.C.	4700-999-0010-00	NVIS GREEN A PHOTOPIC BLUE	3862-800-0851-00	5000-800-0851-00

ITEM	DESCRIPTION	QUAN.
1	SEE TABLE	1
2	8200-800-0801-01	1
3	SEE TABLE	1
4	6671-800-0801-00	1
5	8201-800-0801-02	1
6	3900-800-0800-00	1
7	4101-800-0800-00	1
8	6509-800-0801-00	2
9	8200-800-0801-03	1
10	8207-800-0801-04	1
11	SEE TABLE	1



- NOTES:
- 1.
 - 2.
 3. CEMENT PARTS #4, #6 AND #7 WITH EPOXY #828/V-25 FROM MILLER STEPHENSON
 4. PACKAGE 1 UNIT PER SMALL POLYBAG.

SCALE	DRAWN	DATE	PART NUMBER	REV
	KD	3-31-94	851-SERIES CAP ASSEMBLY	see chart
	CHK'D	DATE		
	D	NO	2-23-93	
MATERIAL				
DIALIGHT CORPORATION				
1913 Atlantic Ave. Manasquan, N.J. 08736				

BRUNING 77364 FORM # 2647