

MICRO SWITCH

FREEPORT ILLINOIS, U.S.A
 A DIVISION OF HONEYWELL INC.
 FED. MFG. CODE 91929

ACTUATOR - SWITCH

CATALOG LISTING

JM-10

JM-10

M

DRAWING NUMBER

X 2

ISSUE

3

REPLACES

RELEASE NO. PR-17797

CHECK

REVISIONS

A CO69507

DAW
21 FEB 91

B CO79303

DLT
6 MAR 95

CHECK

CHECK

CHECK

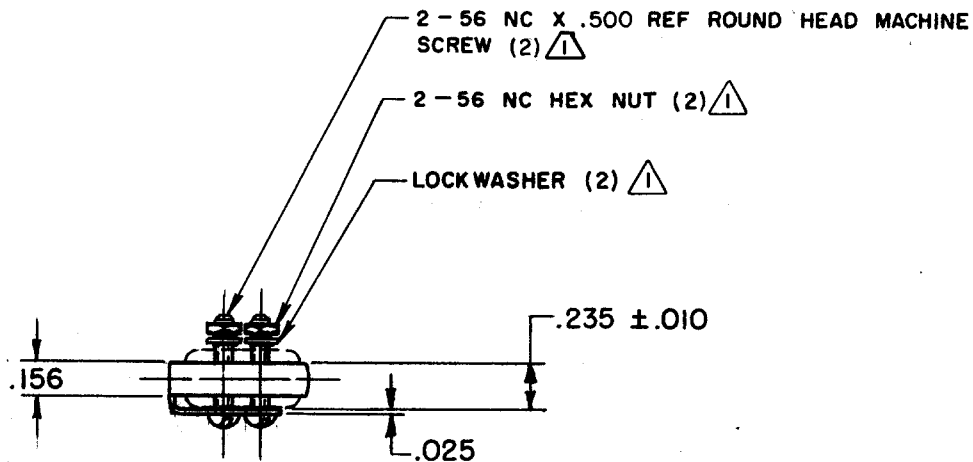
CHECK

CHECK

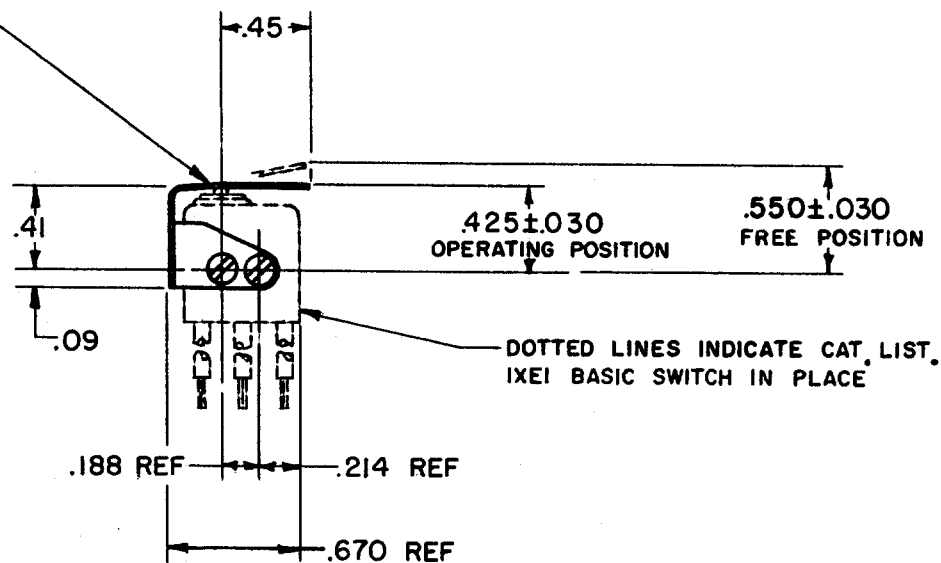
CHECK

CHECK

CHECK



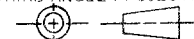
.012 THICK CORROSION RESISTANT STEEL LEAF



NOTE -
 FURNISHED UNASSEMBLED

THIS DRAWING COVERS A PROPRIETARY ITEM AND IS THE PROPERTY OF MICRO SWITCH, A DIVISION OF HONEYWELL. THIS DRAWING IS NOT TO BE COPIED OR USED WITHOUT THE APPROVAL OF MICRO SWITCH.

THIRD ANGLE PROJECTION



CHARACTERISTICS

OPERATING FORCE - - - - - 21 OZ MAX
 RELEASE FORCE - - - - - 3 OZ MIN
 DIFFERENTIAL TRAVEL - - - .012 MAX
 OVERTRAVEL - - - - - .009 MIN

ELECTRICAL DATA

CONTACT ARRANGEMENT

SCALE FULL

DO NOT SCALE PRINT

UNLESS OTHERWISE SPECIFIED TOLERANCES ARE

ONE PLACE (.0) ± .030

TWO PLACE (.00) ± .015

THREE PLACE (.000) ± .005

ANGLES ±

RAW MATERIAL - COMMERCIAL STANDARD

WEIGHT

FO-52848-B

DRAWN

T S M 23 OCT 89