

MICRO SWITCH

FREEPORT ILLINOIS, U.S.A
A DIVISION OF HONEYWELL
FED. MFG. CODE 91929

SWITCH - BASIC

CATALOG LISTING
★ V3-101-D8

CK-BO120

V3-101-D8

RELEASE NO. SR7343

M

DRAWING NUMBER

ISSUE
1213

CHECK

REVISIONS

F	CO47100		
J	A P	19 FEB 80	
G	CO 73963	D H B	20 JAN 93
H	0085964	SBH	30 JAN 12
J	0086860	SBH	22 FEB 12

CHECK

CHECK

CHECK

CHECK

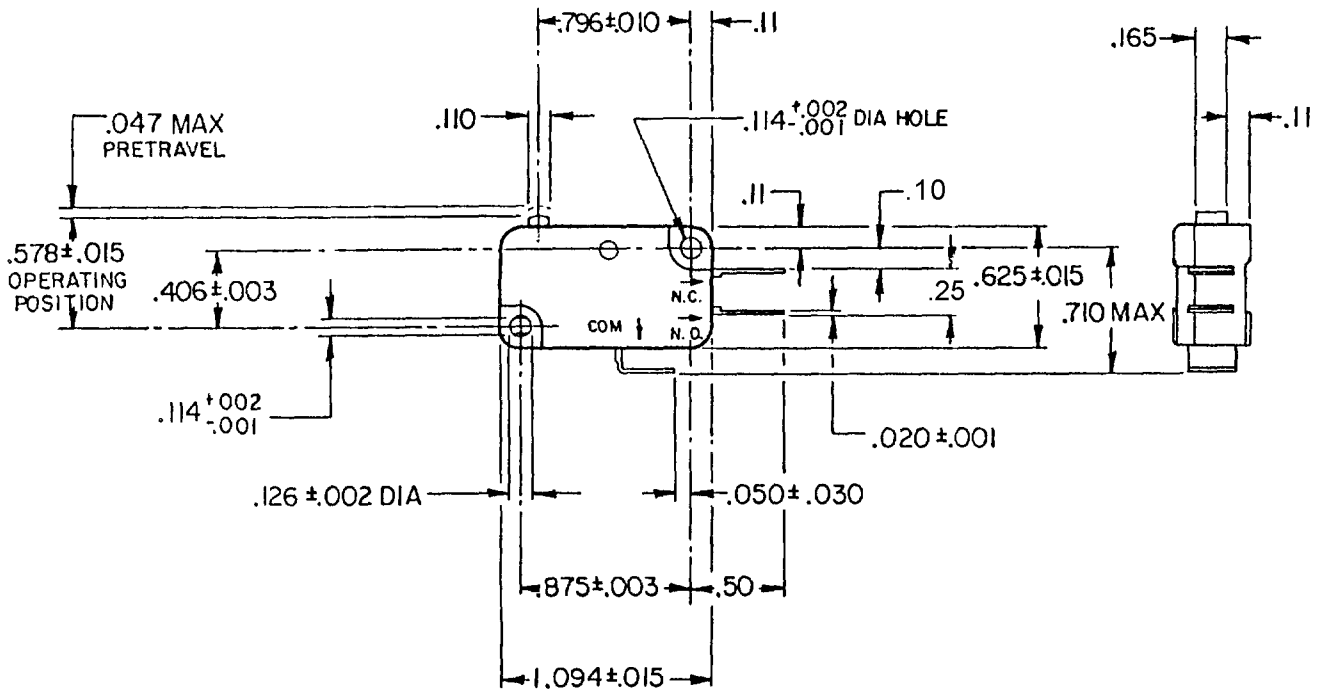
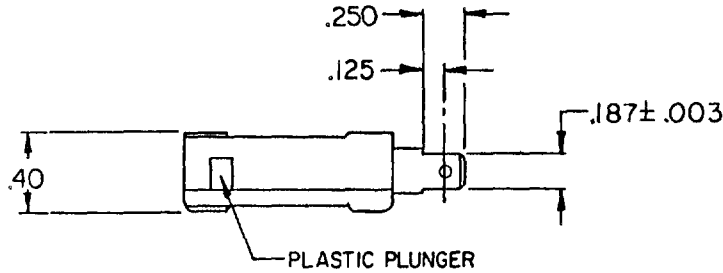
CHECK

CHECK

CHECK

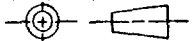
CHECK

CHECK



THIS DRAWING COVERS A PROPRIETARY ITEM AND IS THE PROPERTY OF MICRO SWITCH, A DIVISION OF HONEYWELL. THIS DRAWING IS NOT TO BE COPIED OR USED WITHOUT THE APPROVAL OF MICRO SWITCH.

THIRD ANGLE PROJECTION



CHARACTERISTICS

OPERATING FORCE — — — — 8 OZ MAX
RELEASE FORCE — — — — 2 OZ MIN
DIFFERENTIAL TRAVEL — — — .006 — .016
OVERTRAVEL — — — — .040 MIN
FREE POSITION — — — — .625 MAX
RELEASE TRAVEL — — — — .007 MIN

ELECTRICAL DATA

CONTACT ARRANGEMENT
S P D T

L 156
11A 1/3 HP 125, 250, 277 VAC
1/2A 125 VDC, 1/4A 250 VDC
4A 125 VAC "L"



SCALE NONE

DO NOT SCALE PRINT

TOLERANCES

APPLY TO DESIGN UNITS. CONVERSIONS ARE ONLY FOR REFERENCE. UNLESS NOTED, TOLERANCES ARE ±

	DIM. mm	TOL. mm/in	DIM. in	TOL. mm/in
NO PLACES	X	1/64	X	0.07/05
ONE PLACE	X,X	0.4/016	X,X	0.387/016
TWO PLACES	X,X,X	0.157/008	X,X,X	0.157/008
THREE PLACES	X,X,X,X		X,X,X,X	
ANGLES				

DESIGN UNITS SI METRIC

US CUSTOMARY

WEIGHT

FO-52848-A RASTER

DRAWN

CJH

14

FEB

84

CHECK

CMH

30

JAN

12

CHECK

CMH

22

FEB

12

CHECK

CMH

19

FEB

80

CHECK

CMH

22

FEB

80